

LAKER

Product Data Sheet —

A-joint Mini Bench



DESCRIPTION

The A-joint Mini Bench and A-joint Bench are timeless designs built for durability and style. The Mini Bench features a solid timber stretcher rail beneath its joints, ensuring structural integrity while showcasing a classic trestle aesthetic. Seat and leg components are machined from solid timber. Joint is sand cast in aluminium or Bronze and rumble polished. Aluminium and Bronze is left unsealed. The product is supplied flat-packed and is to be assembled by the end user. Allen key tool is supplied in the box.

Design: David Caon & Henry Wilson 2021

A-JOINT MINI BENCH, TIMBER.
LKR-AJM-BNC-1400



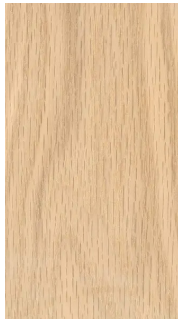
DIMENSIONS 1400L X 350W X 450H MM
MATERIALS VICTORIAN ASH - AMERICAN OAK - AMERICAN WALNUT - ALUMINIUM - BRONZE

WEIGHT 18.9 - 24.9 KG
COUNTRY OF ORIGIN AUSTRALIA
LEAD TIME 6-8 WEEKS
WARRANTY 5 YEARS

FINISHES



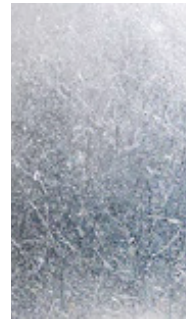
VICTORIAN ASH



AMERICAN OAK



AMERICAN WALNUT

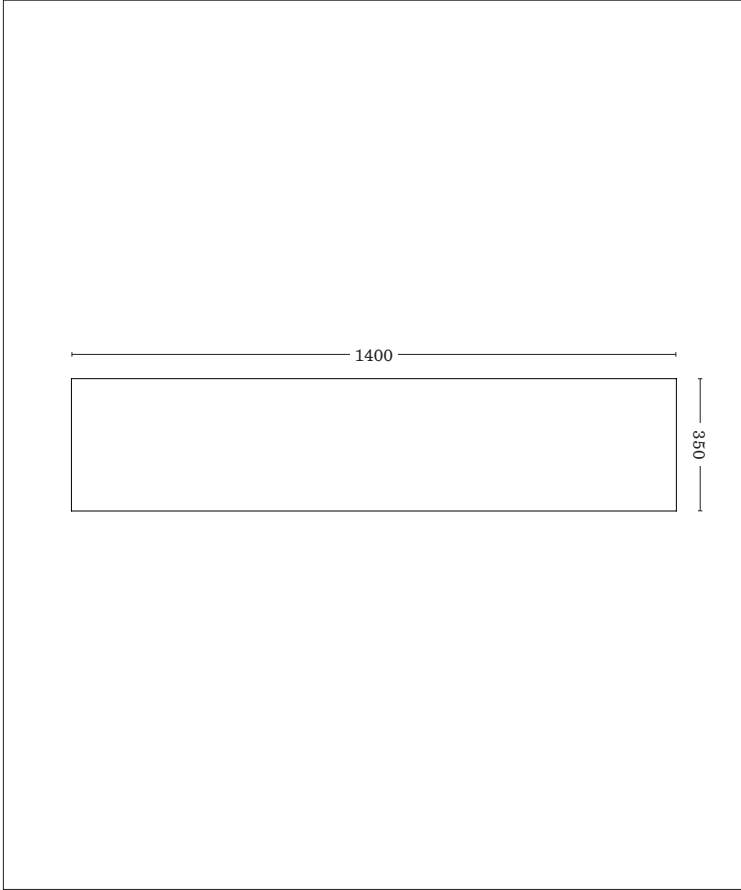


ALUMINIUM



BRONZE

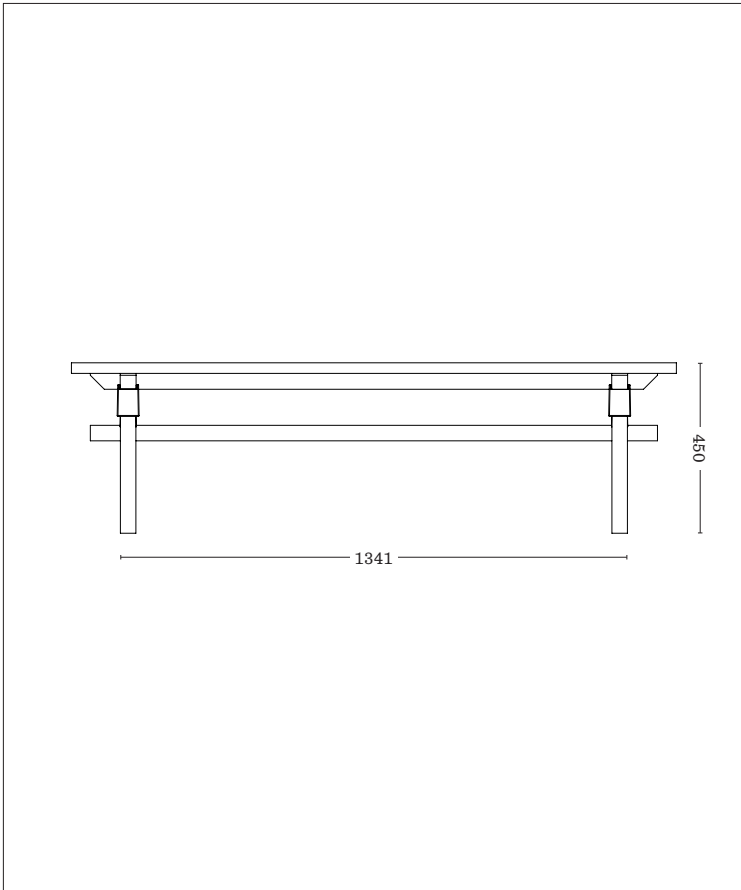
TOP VIEW



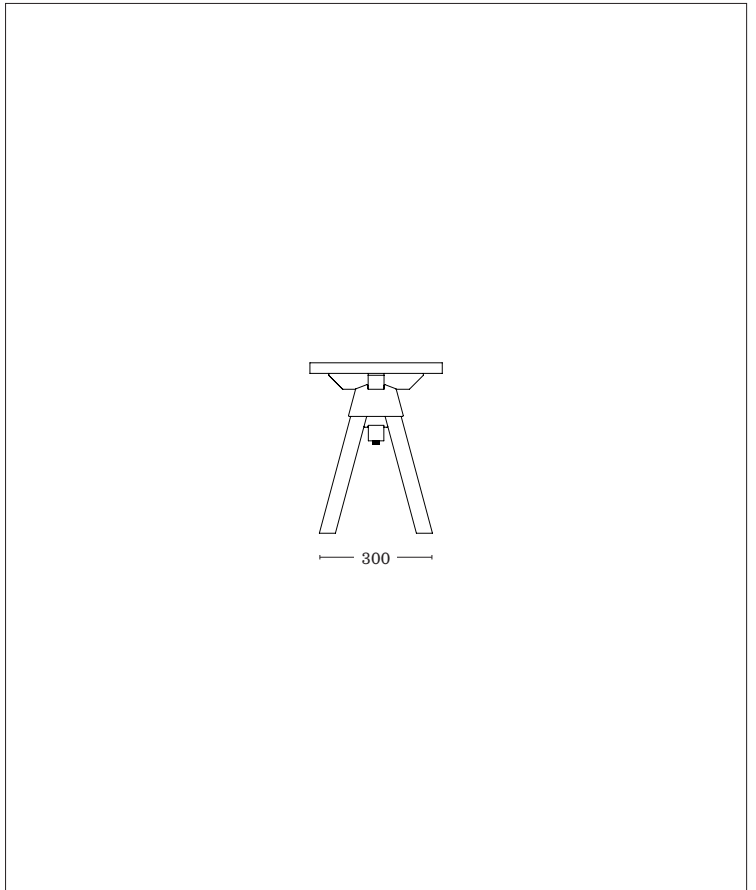
ISOMETRIC VIEW



FRONT VIEW



SIDE VIEW



(E. info@laker.studio)
(P. (02) 9199 9658)
(A. 3/82 Myrtle Street, Chippendale NSW 2008)