

LAKER

Product Data Sheet —

A-joint Stool 450



DESCRIPTION The A-joint Stool is perfect for casual seating configurations around the home or office. Offered in a range of standard timbers, it's archetypal design language means that it is suitable for a range of settings. Seat and leg components are machined from solid timber. Joint is sand cast in Aluminium or Bronze and rumble polished. Aluminium and Bronze is left unsealed. The product is supplied flat-packed and is to assembled by the end user. Allen key tool is supplied in the box.

Design: David Caon & Henry Wilson 2021

A-JOINT STOOL LOW, TIMBER.
LKR-A3JM-STL-450



DIMENSIONS
MATERIALS

WEIGHT
COUNTRY OF ORIGIN
LEAD TIME
WARRANTY

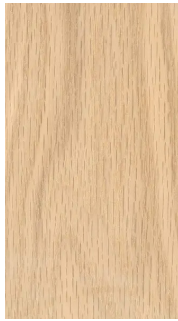
340DIA X 450H
VICTORIAN ASH - AMERICAN OAK - AMERICAN WALNUT - ALUMINIUM - BRONZE

3.5 - 5.3 KG
AUSTRALIA
6-8 WEEKS
5 YEARS

FINISHES



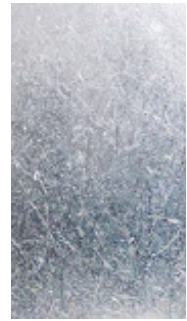
VICTORIAN ASH



AMERICAN OAK



AMERICAN WALNUT

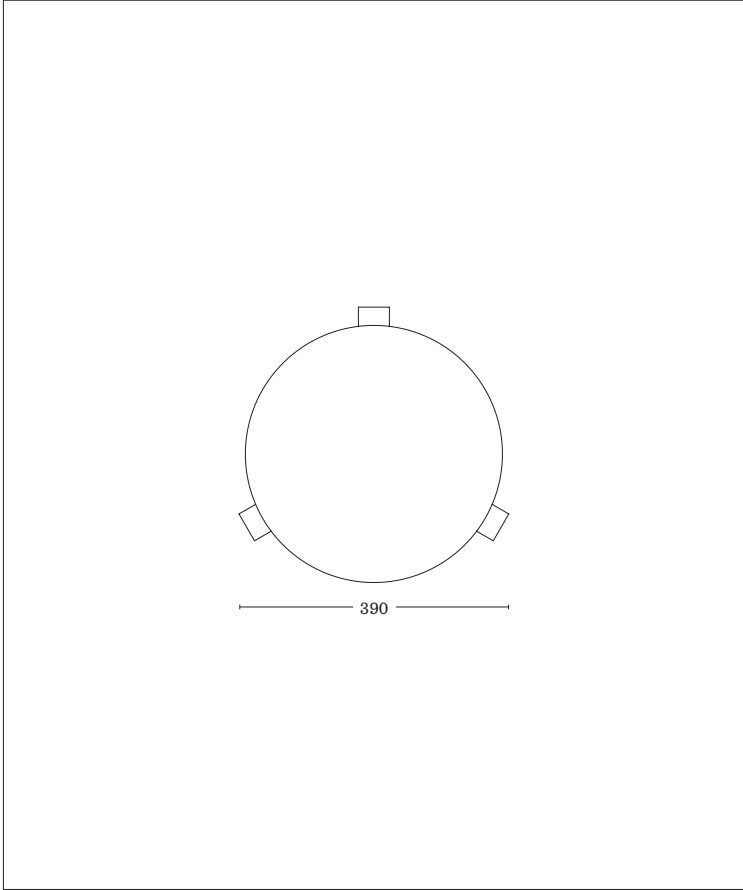


ALUMINIUM

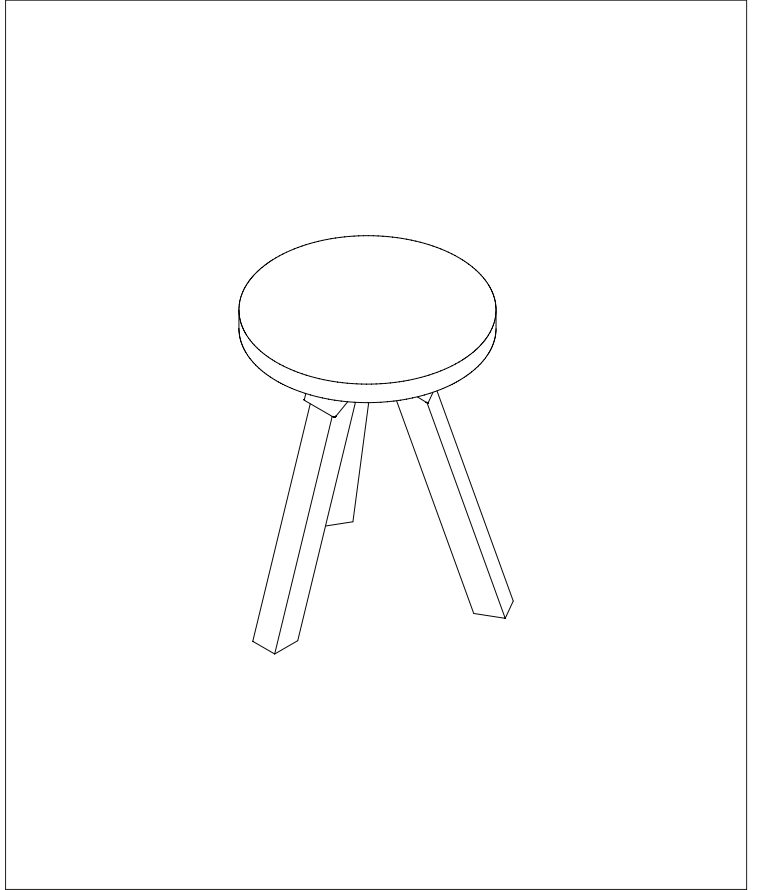


BRONZE

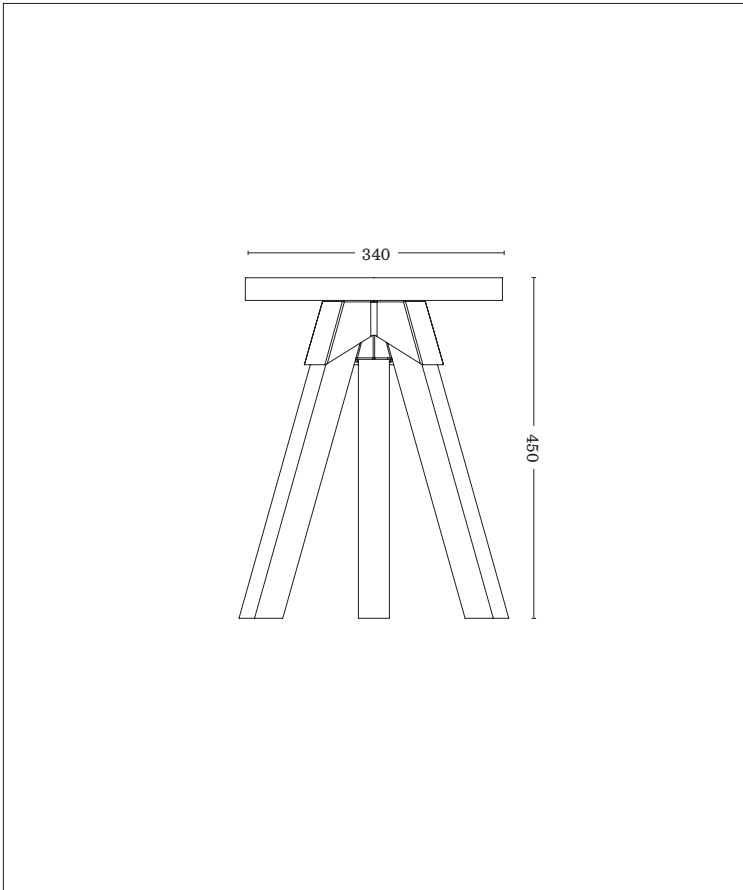
TOP VIEW



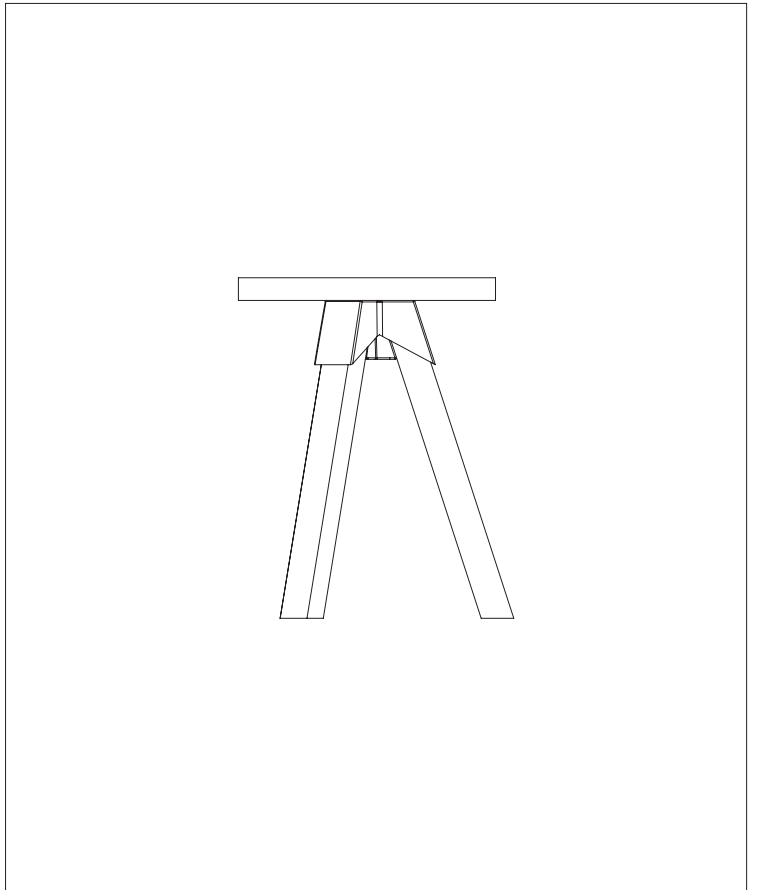
ISOMETRIC VIEW



FRONT VIEW



SIDE VIEW



(E. info@laker.studio)
(P. (02) 9199 9658)
(A. 3/82 Myrtle Street, Chippendale NSW 2008)