

LAKER

Product Data Sheet —

Ala Counter Hook



DESCRIPTION

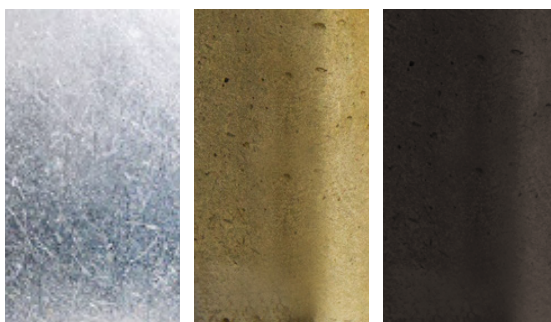
The Ala counter hook is a discrete, functional hook for use under bars, counters and tables. Ala is sand cast in aluminium or brass and then rumble-finished. The finished product is unsealed. Imperfections in the surfaces caused by the manufacturing process are to be expected and inherent in the visual language of this object. No two are exactly alike.
Design: David Caon & Henry Wilson 2021

ALA COUNTER HOOK, METAL.
LKR-ALA-CHK



DIMENSIONS	60W X 45D X 35H MM
MATERIAL	ALUMINIUM - BRASS - BLACKENED BRASS
WEIGHT	27 - 86 G
COUNTRY OF ORIGIN	CHINA
LEAD TIME	2-3 WEEKS
WARRANTY	5 YEARS

FINISHES

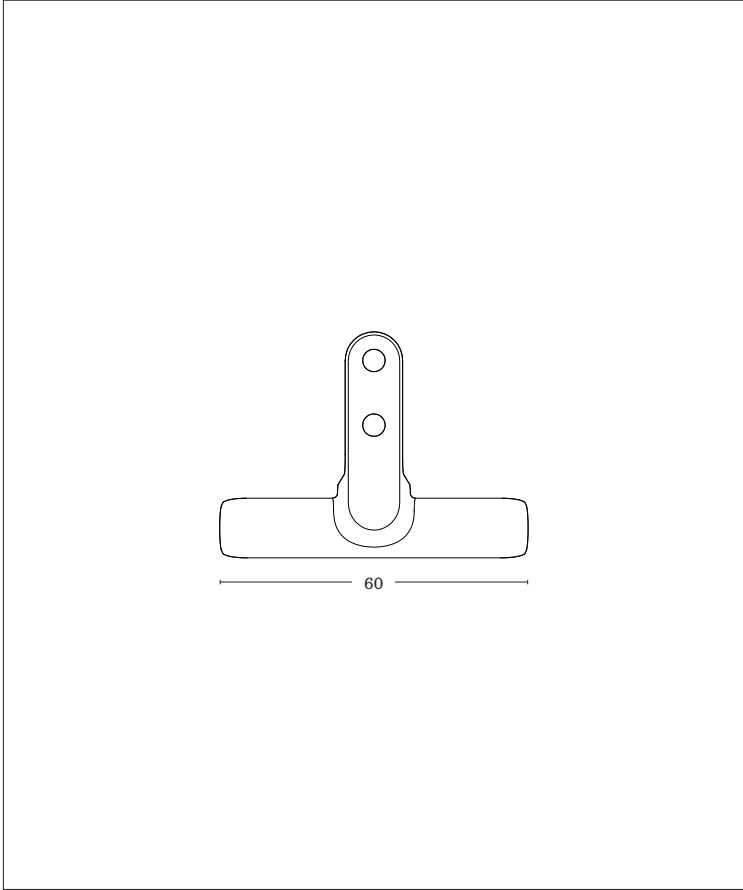


ALUMINIUM

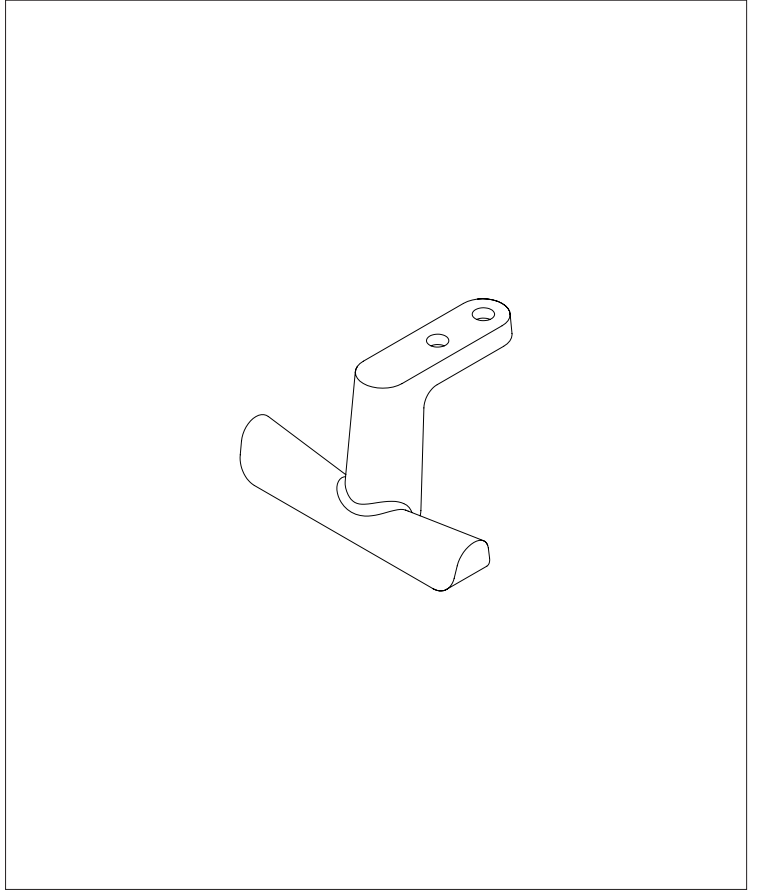
BRASS

BLACKENED BRASS

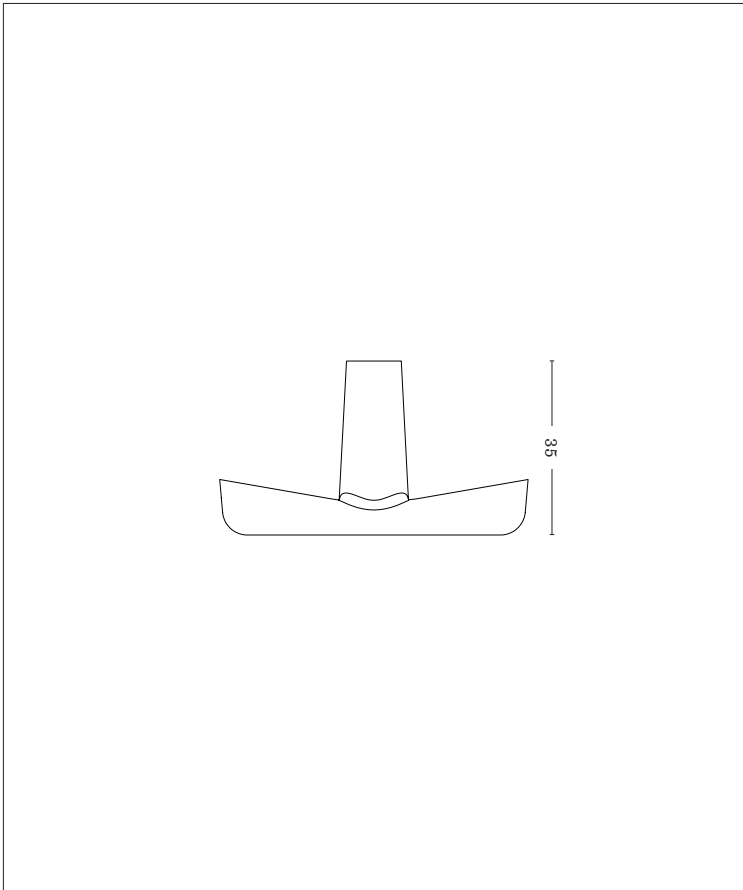
TOP VIEW



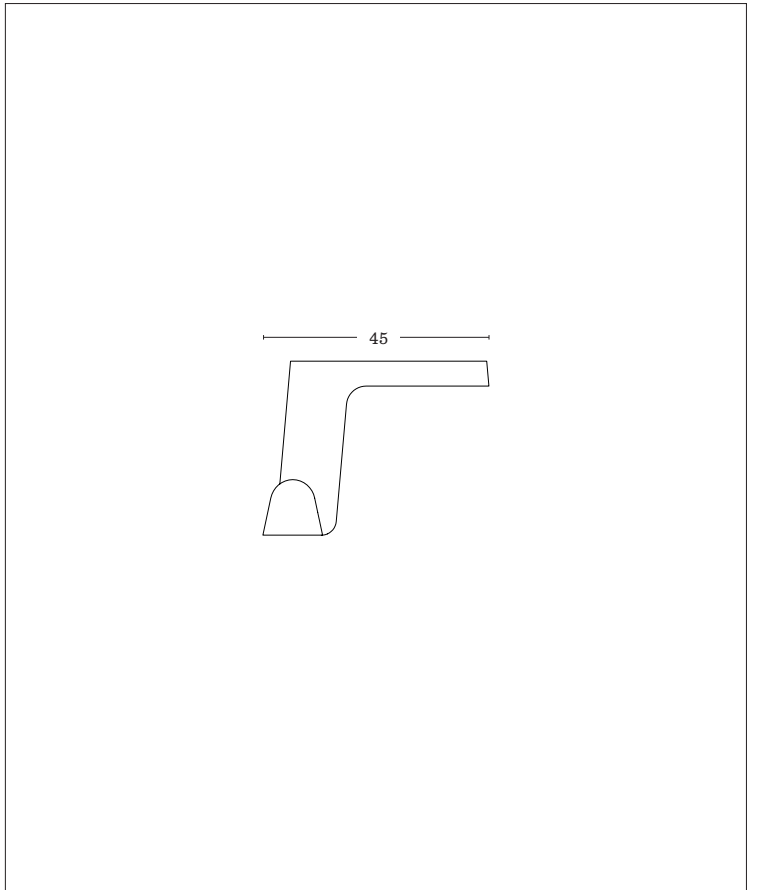
ISOMETRIC VIEW



FRONT VIEW



SIDE VIEW



(E. info@laker.studio)
(P. (02) 9199 9658)
(A. 3/82 Myrtle Street, Chippendale NSW 2008)