

# LAKER

Product Data Sheet —

Ala Wall Hook

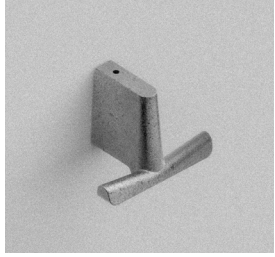


DESCRIPTION

The Ala wall hook is a characterful, contemporary hook. Carefully proportioned with concealed fixings, Ala works in a variety of settings. Ala is sand cast in aluminium or brass and then rumble-finished. The finished product is unsealed. Imperfections in the surfaces caused by the manufacturing process are to be expected and inherent in the visual language of this object. No two are exactly alike.

Design: David Caon & Henry Wilson 2021

ALA WALL HOOK 70, METAL.  
LKR-ALA-WHK-70



DIMENSIONS	70W X 45D X 50H MM
MATERIAL	ALUMINIUM - BRASS - BLACKENED BRASS
WEIGHT	76 - 237 G
COUNTRY OF ORIGIN	CHINA
LEAD TIME	2-3 WEEKS
WARRANTY	5 YEARS

FINISHES



ALUMINIUM

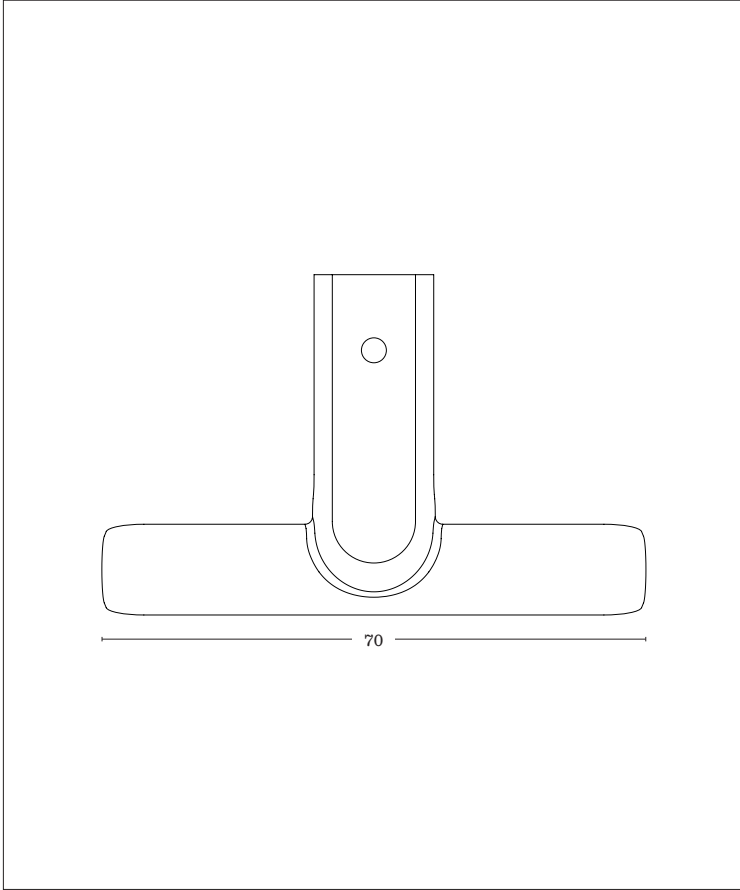


BRASS

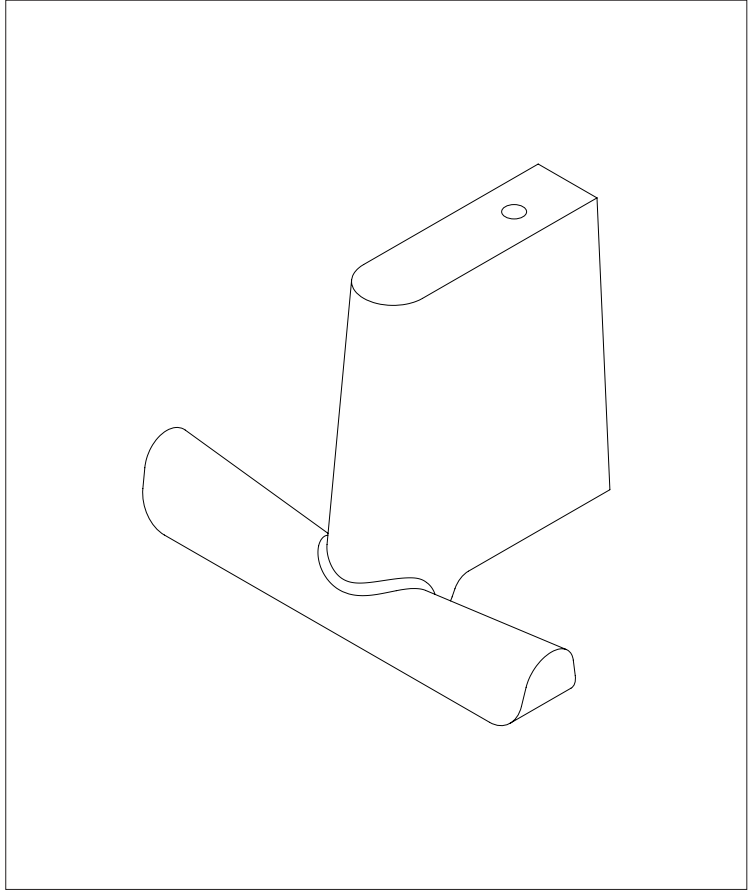


BLACKENED BRASS

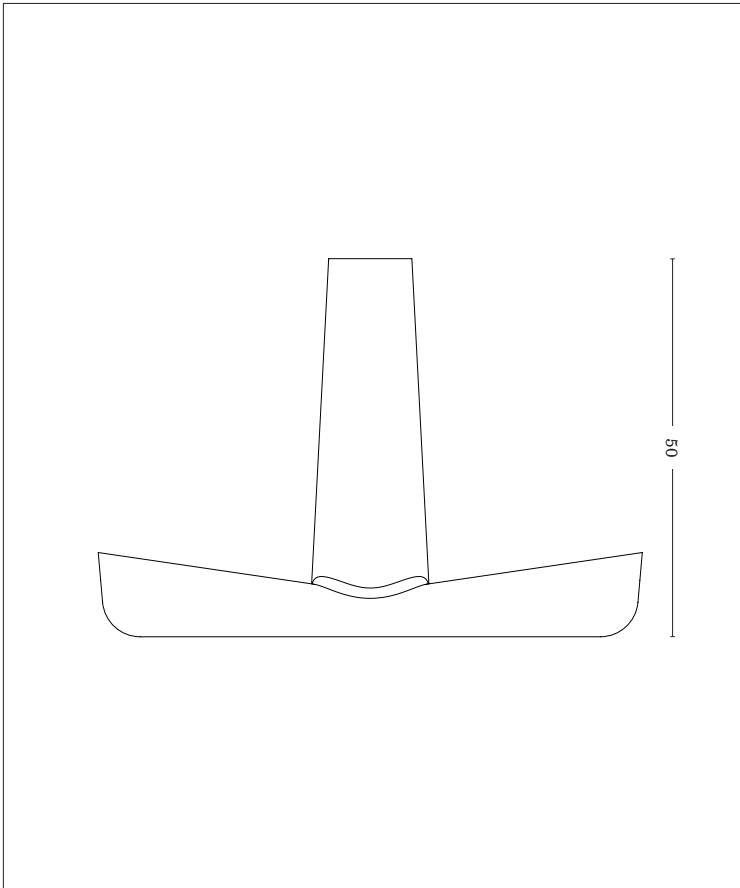
TOP VIEW



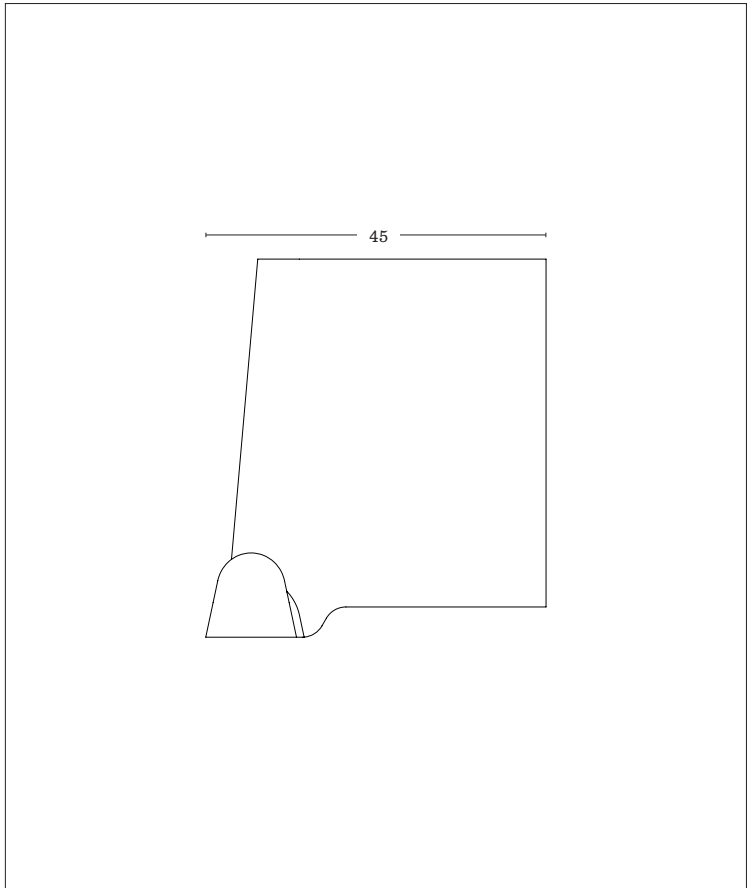
ISOMETRIC VIEW



FRONT VIEW



SIDE VIEW



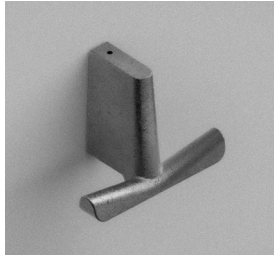


DESCRIPTION

The Ala wall hook is a characterful, contemporary hook. Carefully proportioned with concealed fixings, Ala works in a variety of settings. Ala is sand cast in aluminium or brass and then rumble-finished. The finished product is unsealed. Imperfections in the surfaces caused by the manufacturing process are to be expected and inherent in the visual language of this object. No two are exactly alike.

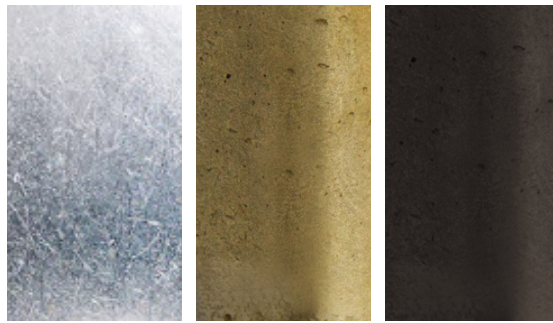
Design: David Caon & Henry Wilson 2021

ALA WALL HOOK 100, METAL.  
LKR-ALA-WHK-100



DIMENSIONS	100W X 55D X 74H MM
MATERIAL	ALUMINIUM - BRASS - BLACKENED BRASS
WEIGHT	181 - 569 G
COUNTRY OF ORIGIN	CHINA
LEAD TIME	2-3 WEEKS
WARRANTY	5 YEARS

FINISHES

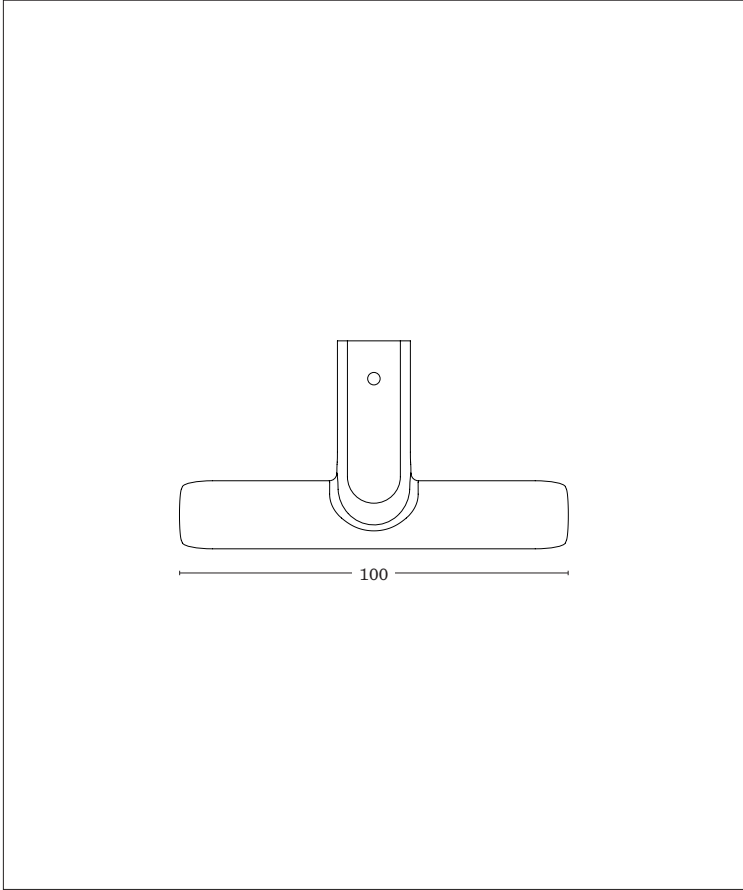


ALUMINIUM

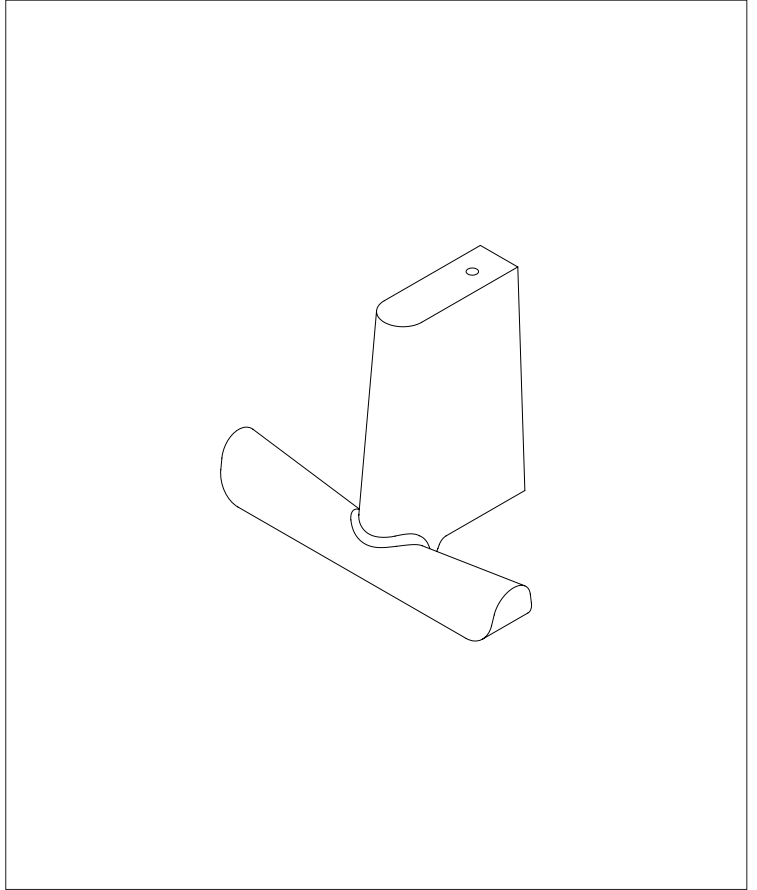
BRASS

BLACKENED BRASS

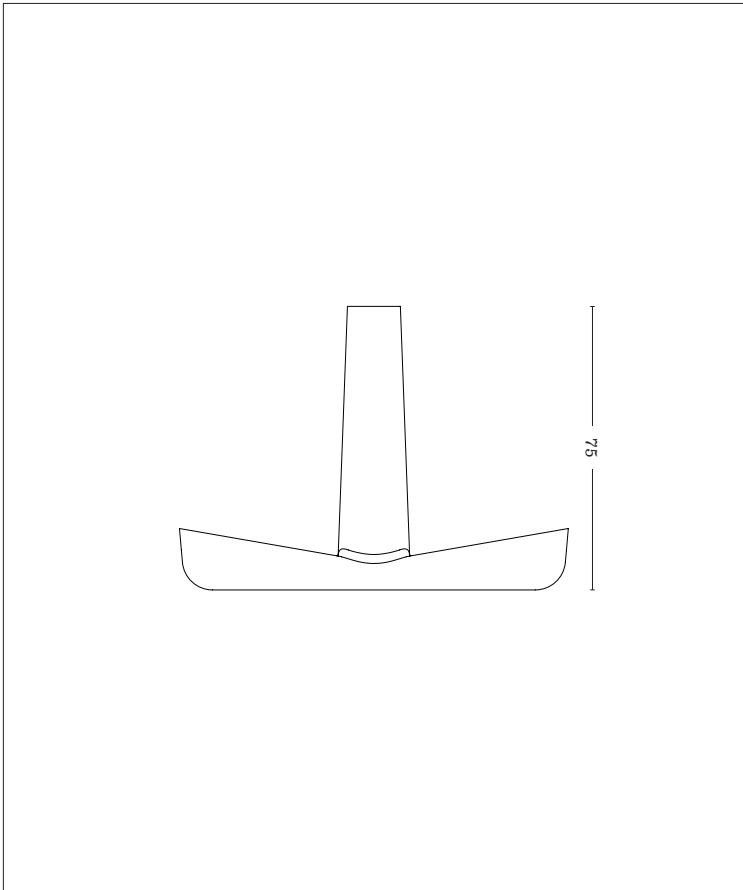
TOP VIEW



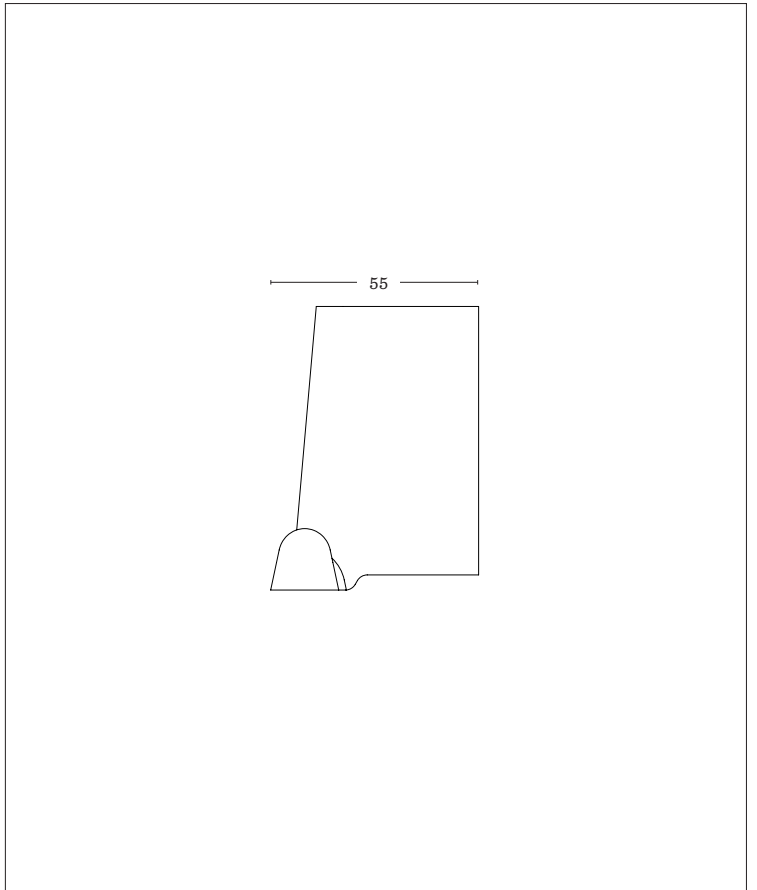
ISOMETRIC VIEW



FRONT VIEW



SIDE VIEW



(E. info@laker.studio)  
(P. (02) 9199 9658)  
(A. 3/82 Myrtle Street, Chippendale NSW 2008)