

LAKER

Product Data Sheet —

Alpine Stool



DESCRIPTION

The Alpine Stool is inspired by the folk chairs of the Tyrol region. A modern interpretation of an archetypal object, Alpine is an interplay between reference and naiveté. Manufactured from solid timber and designed for stability and comfort, Alpine is equally functional as a bar stool or a Kitchen stool.

All components are machined from solid timber and glue-fixed together with traditional mortice and tenon construction method. Removable screw-fix felt glides are a fixed to the base of the legs for use on hard surfaces. May be removed by customer for use on carpet and other soft floors.

Design: David Caon & Henry Wilson 2021

ALPINE STOOL 650, TIMBER.
LKR-ALP-STL-650

DIMENSIONS
MATERIALS

360W X 430D X 895H
AMERICAN OAK - AMERICAN WALNUT

WEIGHT
COUNTRY OF ORIGIN
LEAD TIME
WARRANTY

5.8 - 6.3 KG
AUSTRALIA
6-8 WEEKS
5 YEARS



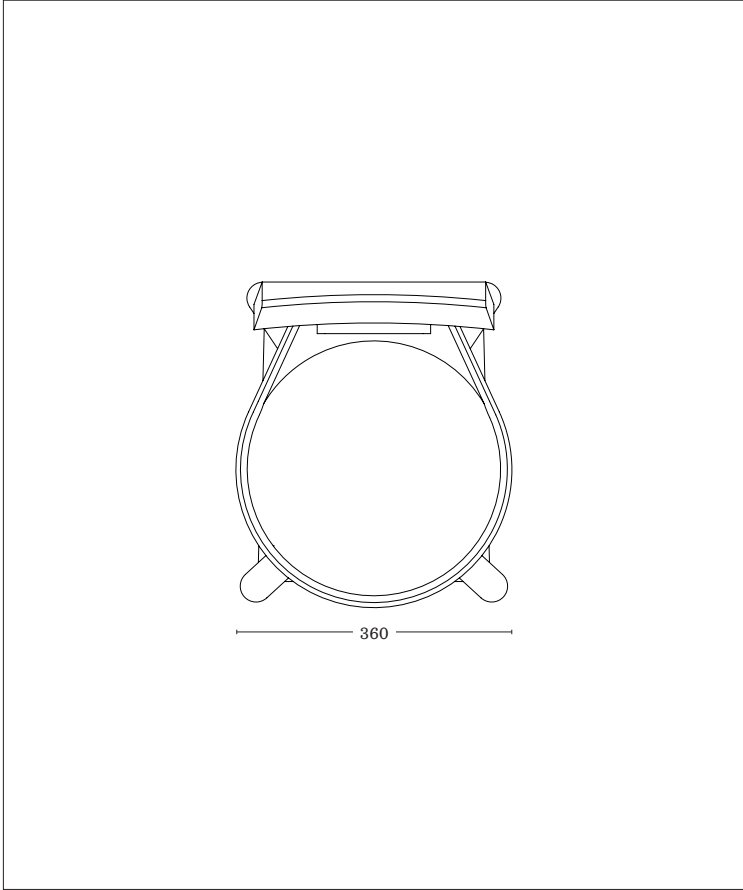
FINISHES



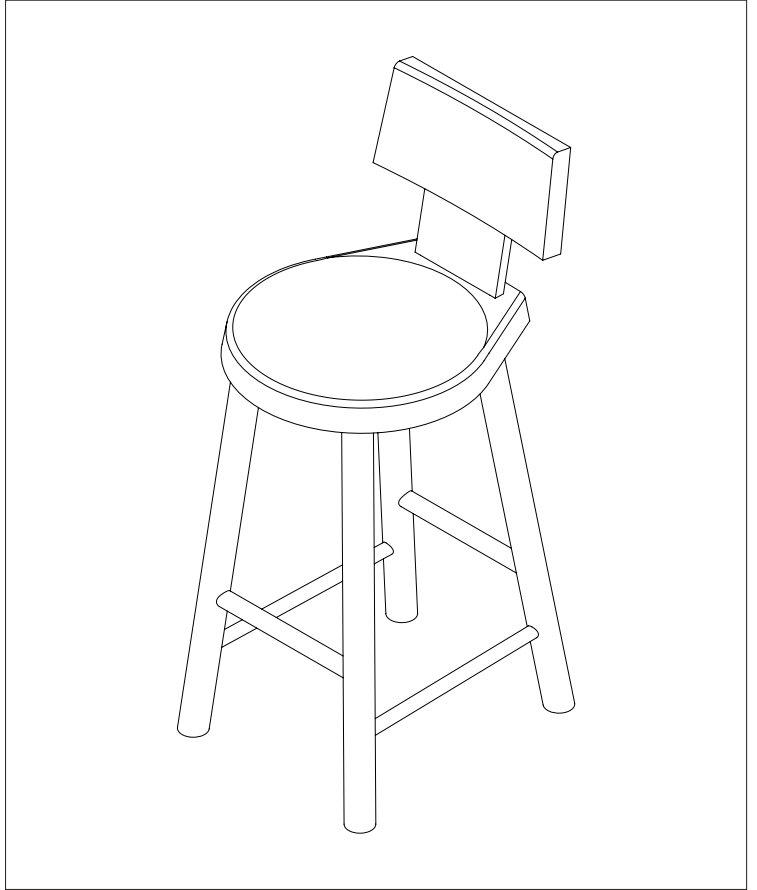
AMERICAN OAK

AMERICAN WALNUT

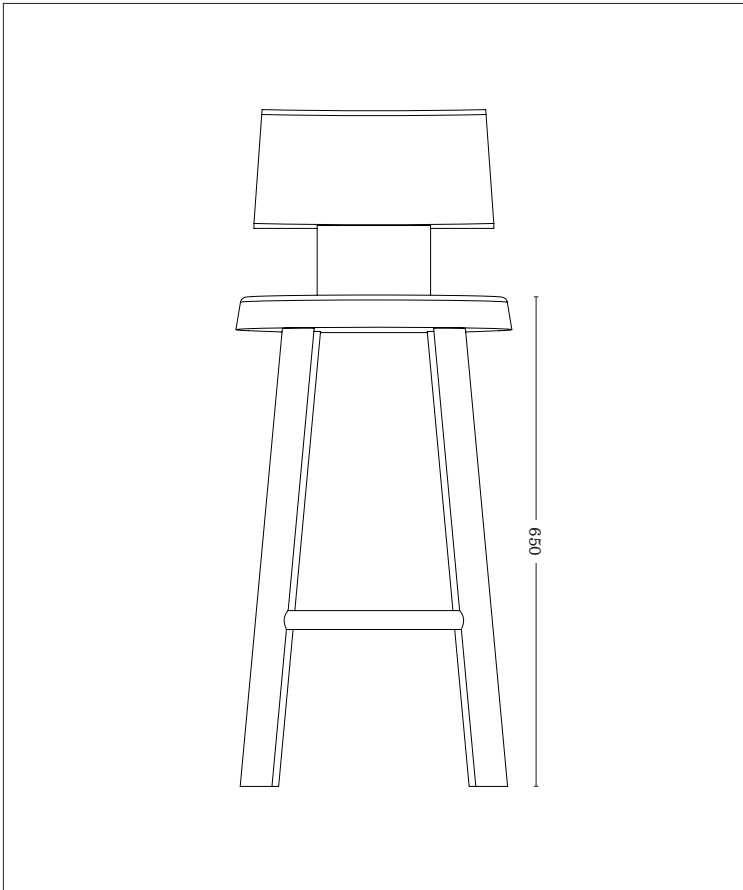
TOP VIEW



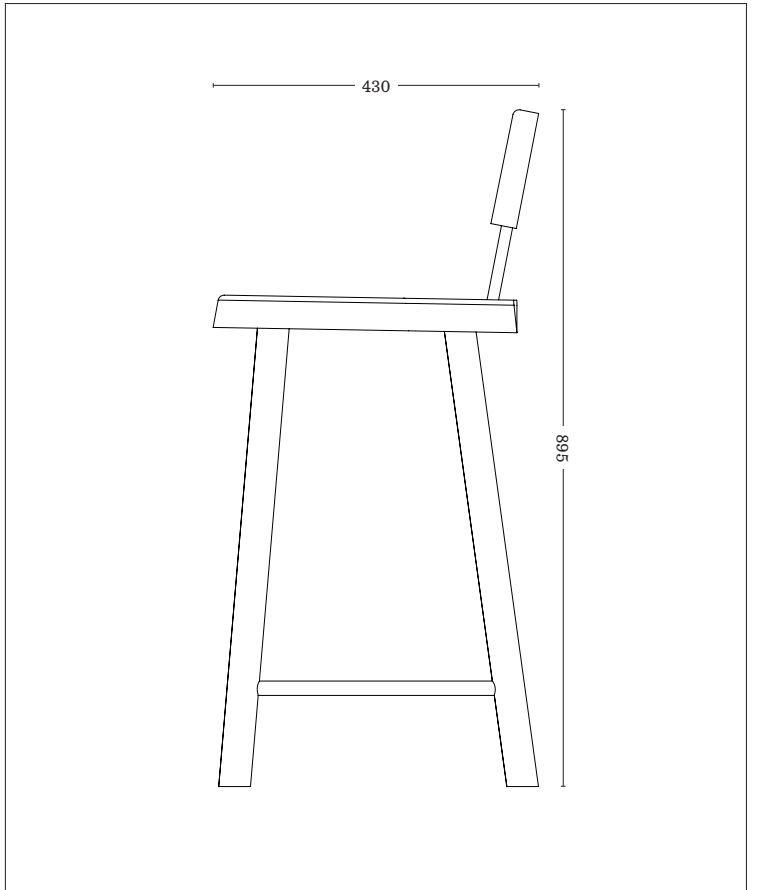
ISOMETRIC VIEW



FRONT VIEW



SIDE VIEW



DESCRIPTION

The Alpine Stool is inspired by the folk chairs of the Tyrol region. A modern interpretation of an archetypal object, Alpine is an interplay between reference and naiveté. Manufactured from solid timber and designed for stability and comfort, Alpine is equally functional as a bar stool or a Kitchen stool.

All components are machined from solid timber and glue-fixed together with traditional mortice and tenon construction method. Removable screw-fix felt glides are a fixed to the base of the legs for use on hard surfaces. May be removed by customer for use on carpet and other soft floors.

Design: David Caon & Henry Wilson 2021

ALPINE STOOL 750, TIMBER.
LKR-ALP-STL-750

DIMENSIONS
MATERIALS

372W X 445D X 995H
AMERICAN OAK - AMERICAN WALNUT

WEIGHT
COUNTRY OF ORIGIN
LEAD TIME
WARRANTY

6.1 - 7.3 KG
AUSTRALIA
6-8 WEEKS
5 YEARS



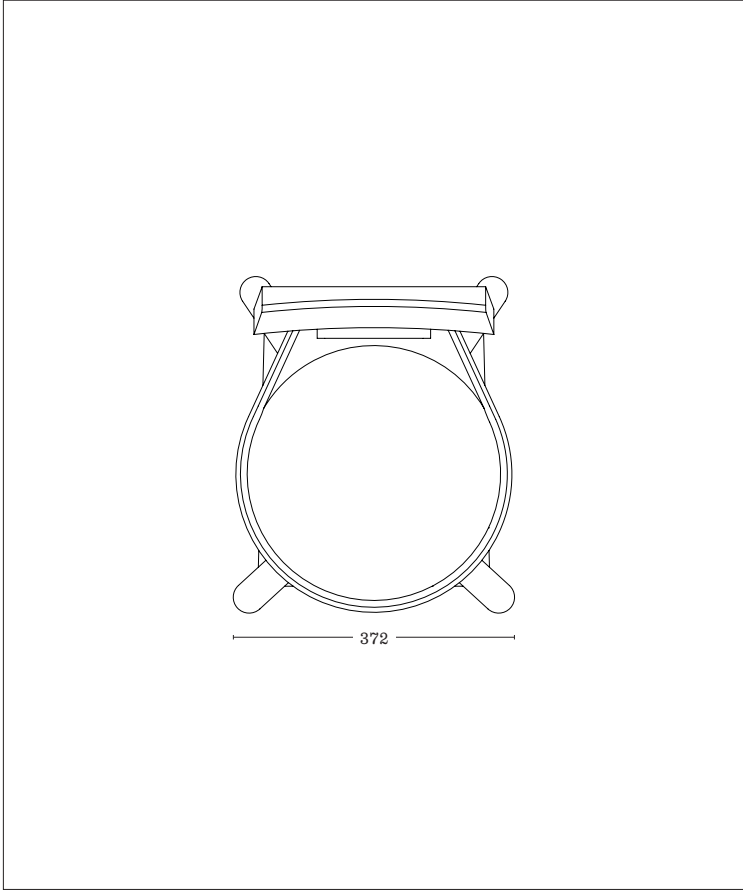
FINISHES



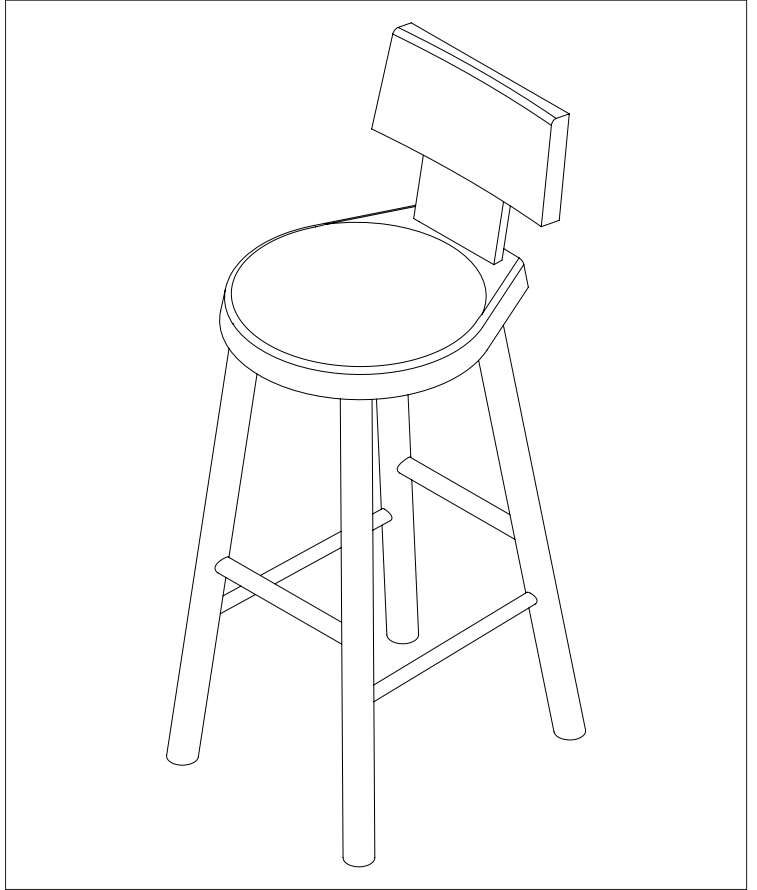
AMERICAN OAK

AMERICAN WALNUT

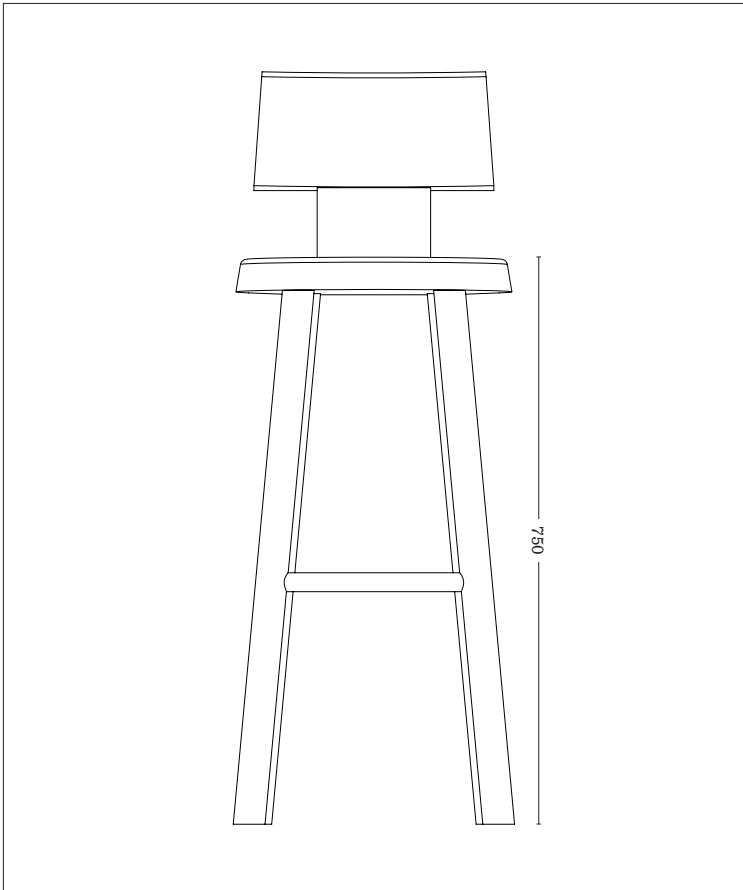
TOP VIEW



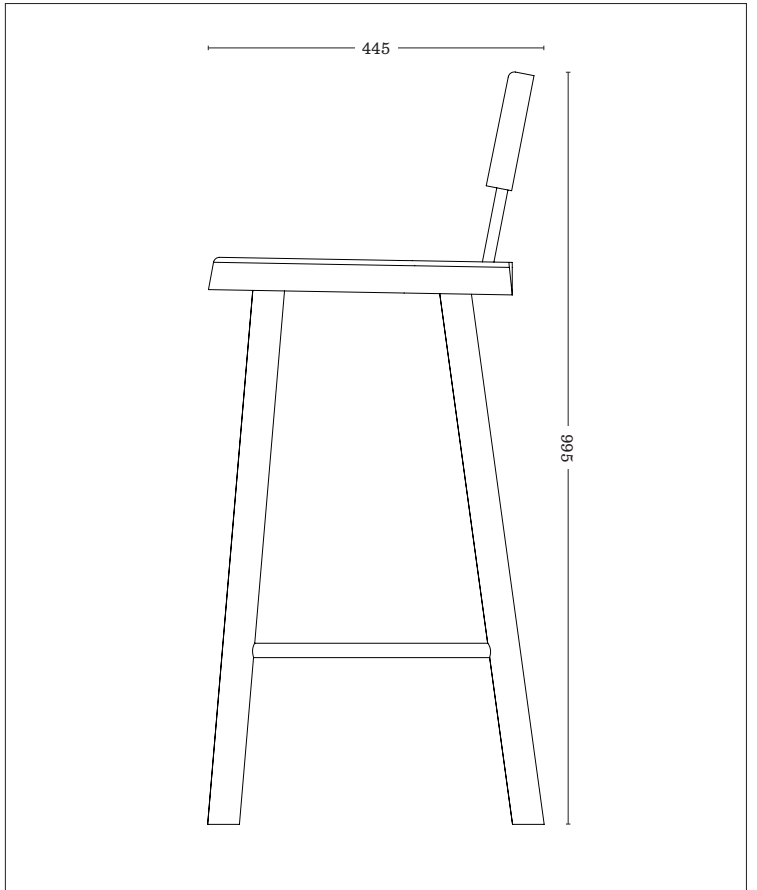
ISOMETRIC VIEW



FRONT VIEW



SIDE VIEW



(E. info@laker.studio)
(P. (02) 9199 9658)
(A. 3/82 Myrtle Street, Chippendale NSW 2008)