

LAKER

Product Data Sheet —

Coink



DESCRIPTION

A bookend? Born of an effort to teach a child the value of money and the nostalgia of the objects of our past. Coink evolves from an educational toy to, once heavy with coins, an ornamental book end.

Coink is sand cast in aluminium, seam welded and then double rumbled finished. The aluminium is unsealed. Imperfections in the surfaces caused by the manufacturing process are to be expected and inherent in the visual language of this object. No two are exactly alike.

Design: David Caon & Henry Wilson 2021

COINK, ALUMINIUM.
LKR-CNK-A

DIMENSIONS
MATERIAL

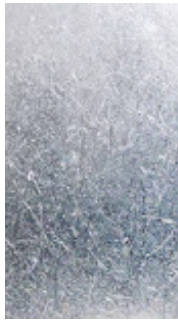
165W X 80D X 180H MM
SAND CAST ALUMINIUM

WEIGHT
COUNTRY OF ORIGIN
LEAD TIME
WARRANTY

427 G
CHINA
4-6 WEEKS
5 YEARS

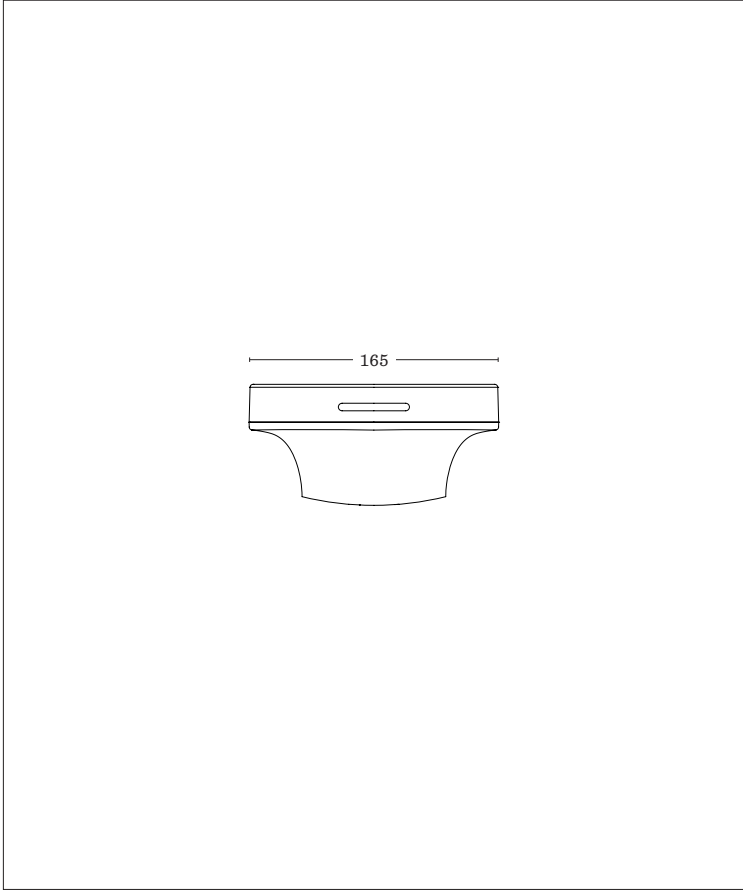


FINISH

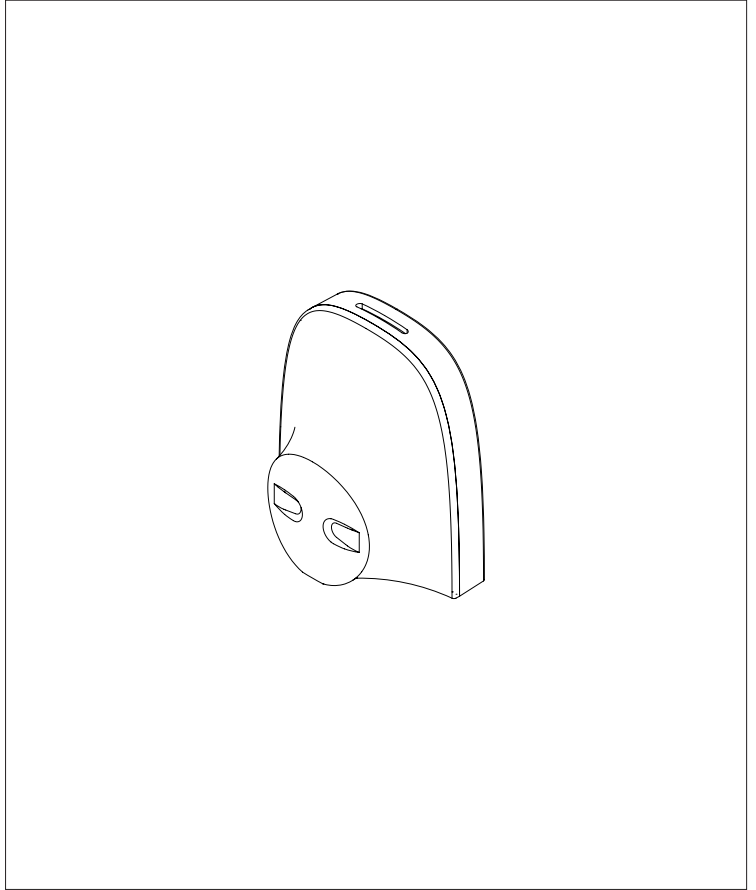


ALUMINIUM

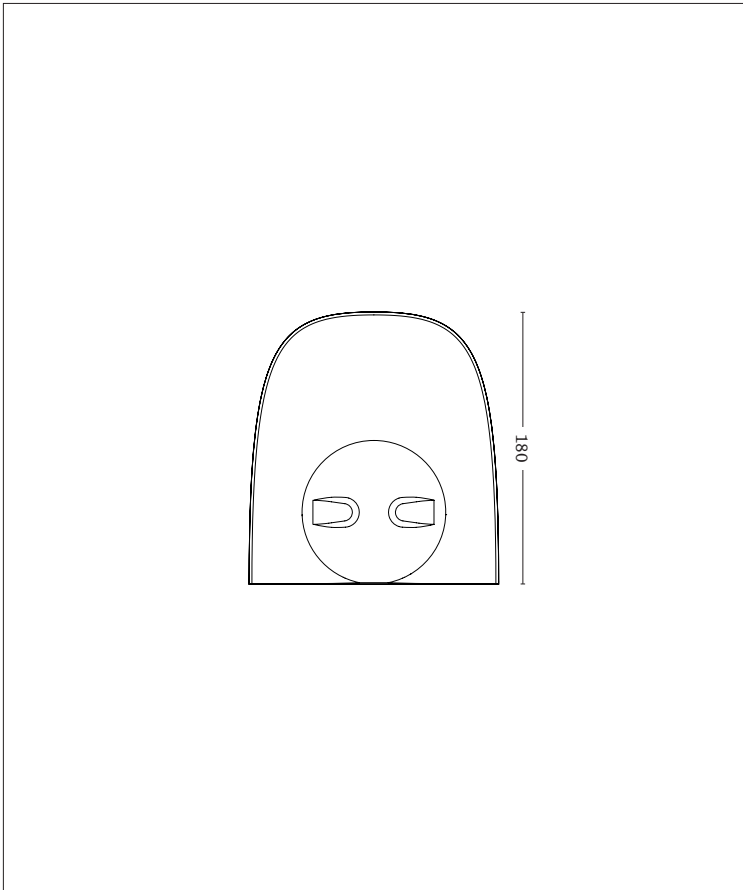
TOP VIEW



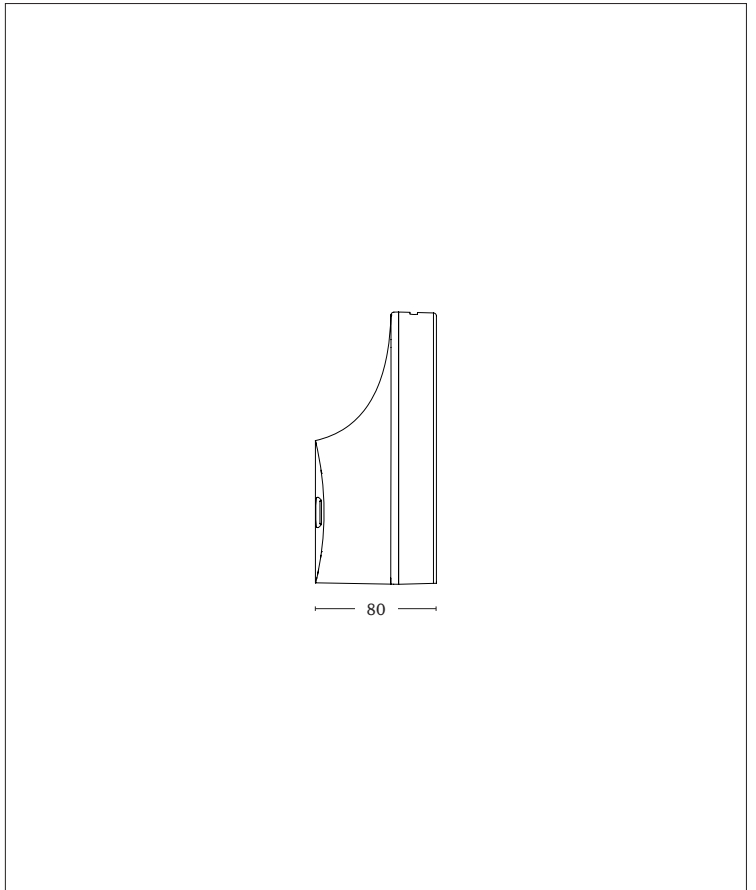
ISOMETRIC VIEW



FRONT VIEW



SIDE VIEW



(E. info@laker.studio)
(P. (02) 9199 9658)
(A. 3/82 Myrtle Street, Chippendale NSW 2008)