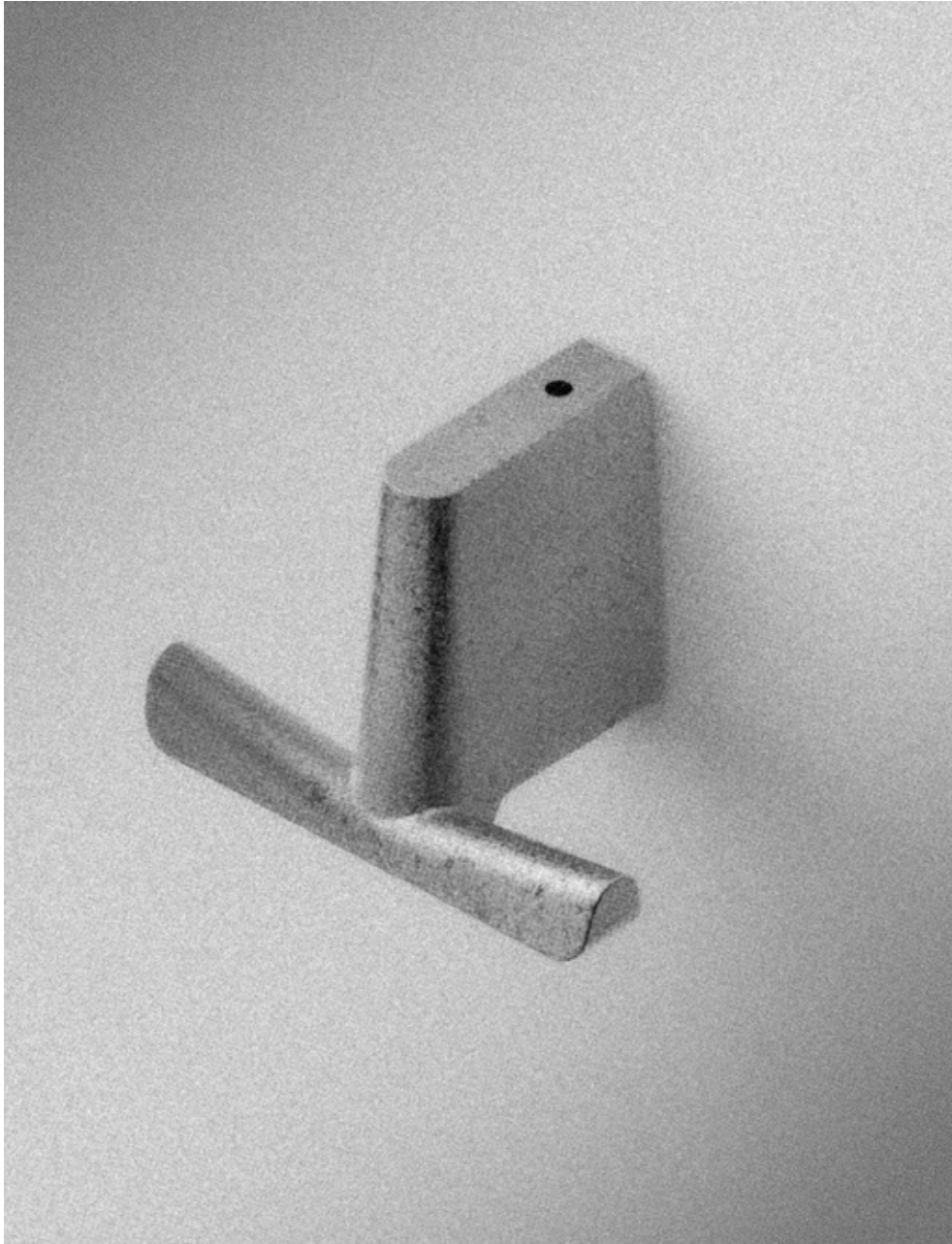


# LAKER



**Ala Wall Hook 70**

Product Data Sheet

## Ala Wall Hook 70mm

WHook70-B

WHook70-A

WHook70-BLK



### Description

The Ala wall hook is a characterful, contemporary hook. Carefully proportioned with concealed fixings, Ala works in a variety of settings. Available in two size variants and three distinct finishes. Brass, Black Brass and Aluminium.

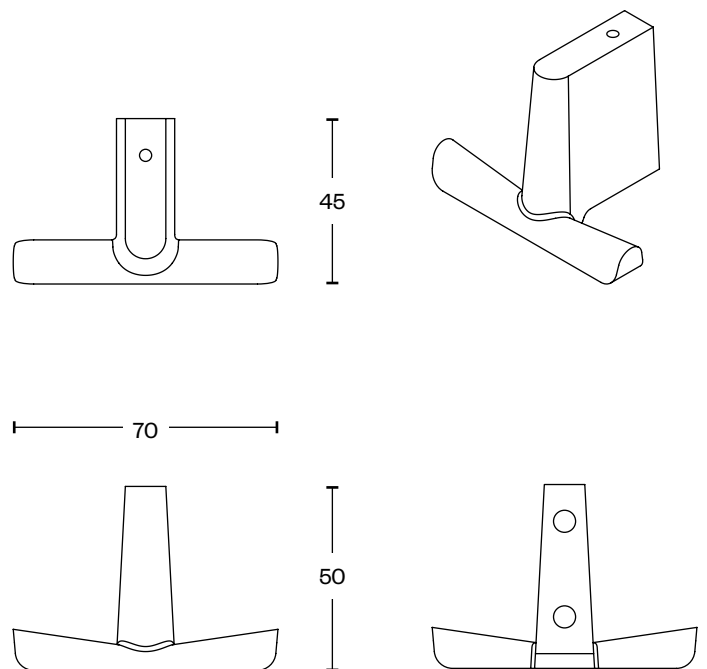
**Design :** David Caon & Henry Wilson 2022

### Dimensions

Width 70mm | 2.8"

Depth 45mm | 1.8"

Height 50mm | 2"



### Construction

Ala is sand cast in aluminium or brass and then rumble-finished. The finished product is unsealed.

Imperfections in the surfaces caused by the manufacturing process are to be expected and inherent in the visual language of this object. No two are exactly alike.

### Country of Origin

China

### Production Lead Time

If not in stock, production lead time is 8 weeks.

### Warranty

The aluminium in its unsealed state is a living material. Ala will oxidise with age and environment, effecting a natural patina. Allow its evolution, or restore the original finish with a polishing solution. We recommend Brasso or Silvo, and a soft polishing cloth.

### Materials

Aluminium

Brass

Blackened brass

### Colour and Finish

Raw rumbled aluminium

Raw rumbled brass

Blackened raw rumbled brass



Aluminium

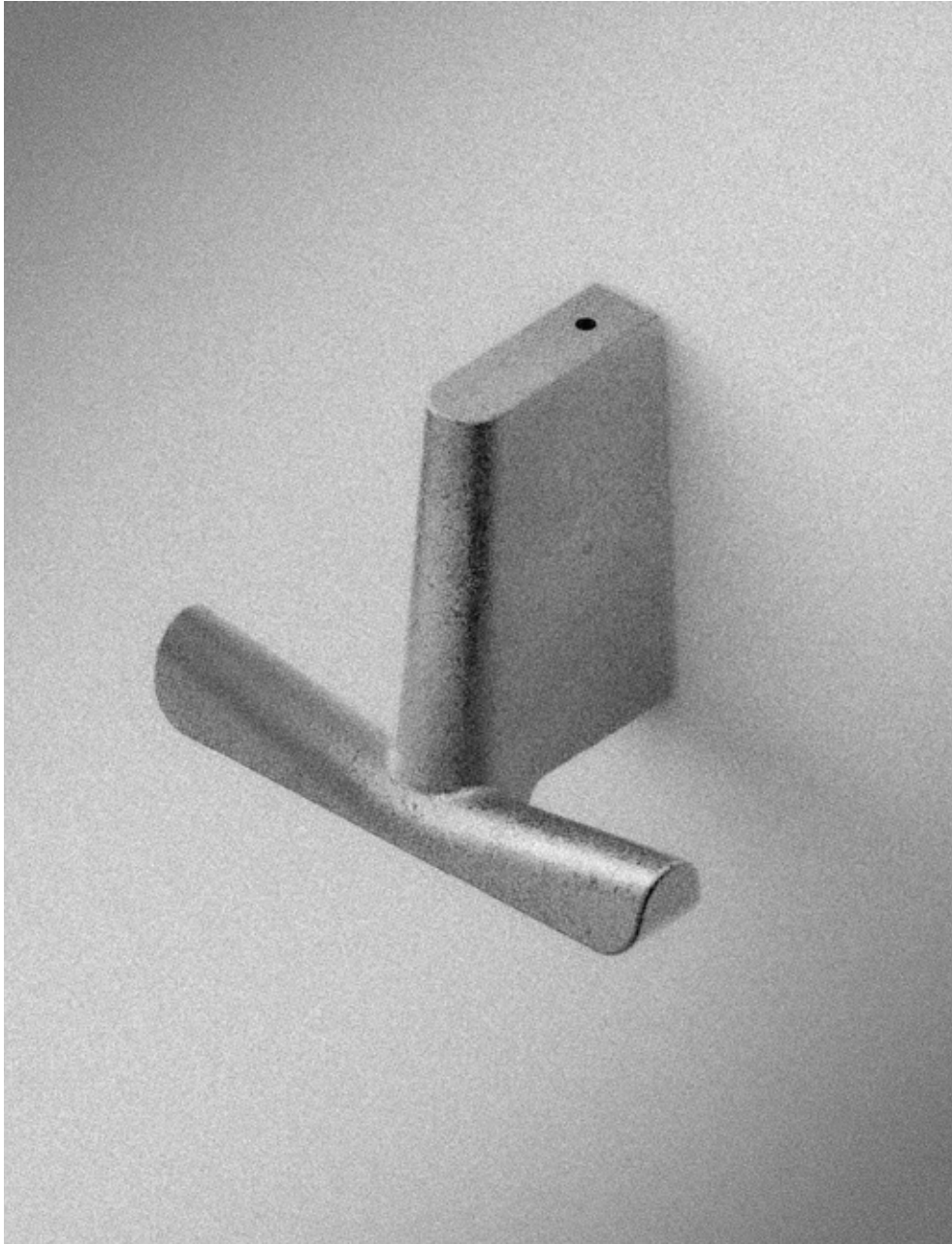


Brass



Blackened  
Brass

# LAKER



**Ala Wall Hook 100mm**

Product Data Sheet

## Ala Wall Hook 100mm

WHook100-B

WHook100-A

WHook100-BLK



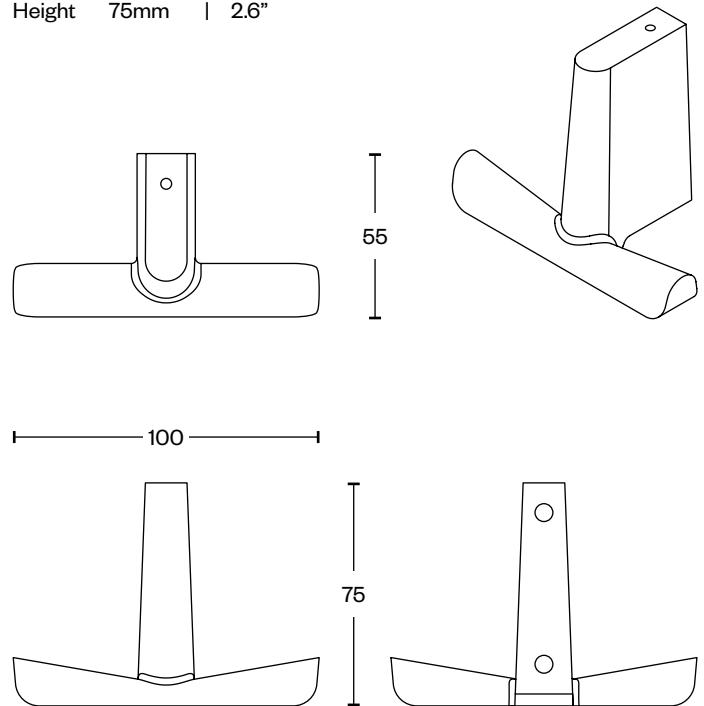
### Description

The Ala wall hook is a characterful, contemporary hook. Carefully proportioned with concealed fixings, Ala works in a variety of settings. Available in two size variants and three distinct finishes. Brass, Black Brass and Aluminium.

**Design :** David Caon & Henry Wilson 2022

### Dimensions

Width 100mm | 4"  
Depth 55mm | 2.2"  
Height 75mm | 2.6"



### Construction

Ala is sand cast in aluminium or brass and then rumble-finished. The finished product is unsealed.

Imperfections in the surfaces caused by the manufacturing process are to be expected and inherent in the visual language of this object. No two are exactly alike.

### Country of Origin

China

### Production Lead Time

If not in stock, production lead time is 8 weeks.

### Warranty

The aluminium in its unsealed state is a living material. Ala will oxidise with age and environment, effecting a natural patina. Allow its evolution, or restore the original finish with a polishing solution. We recommend Brasso or Silvo, and a soft polishing cloth.

### Materials

Aluminium

Brass

Blackened Brass

### Colour and Finish

Raw rumbled aluminium

Raw rumbled brass

Blackened raw rumbled brass



Aluminium



Brass



Blackened  
Brass

# LAKER



**Ala Wall Hook 100mm**

Product Data Sheet

---

# LAKER

---

For enquiries, please visit us at

---

[www.laker.studio](http://www.laker.studio)  
[info@laker.studio](mailto:info@laker.studio)  
**laker.studio**