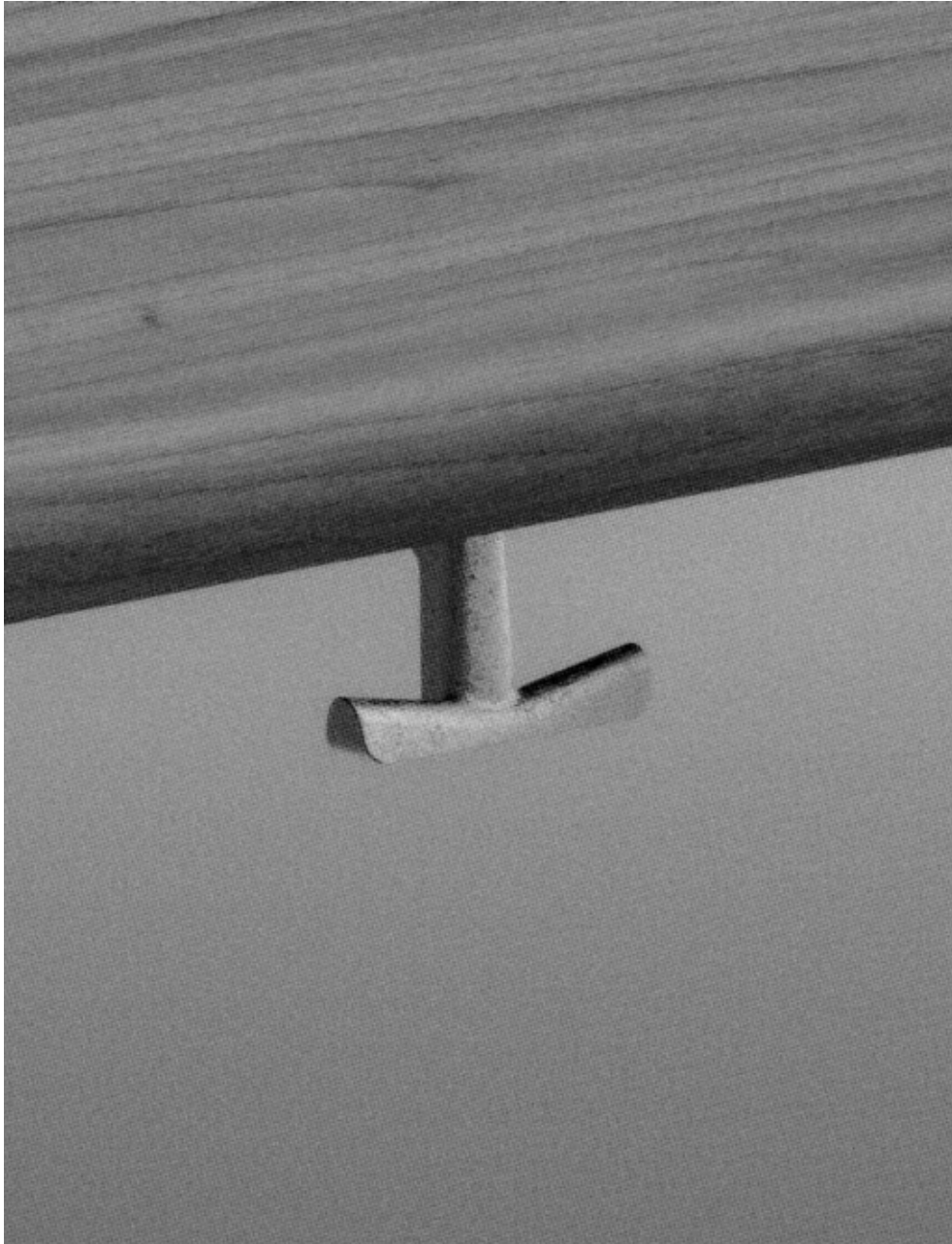


LAKER



Ala Counter Hook

Product Data Sheet

Ala Counter Hook

CHook-B
CHook-A
CHook-BLK

Description

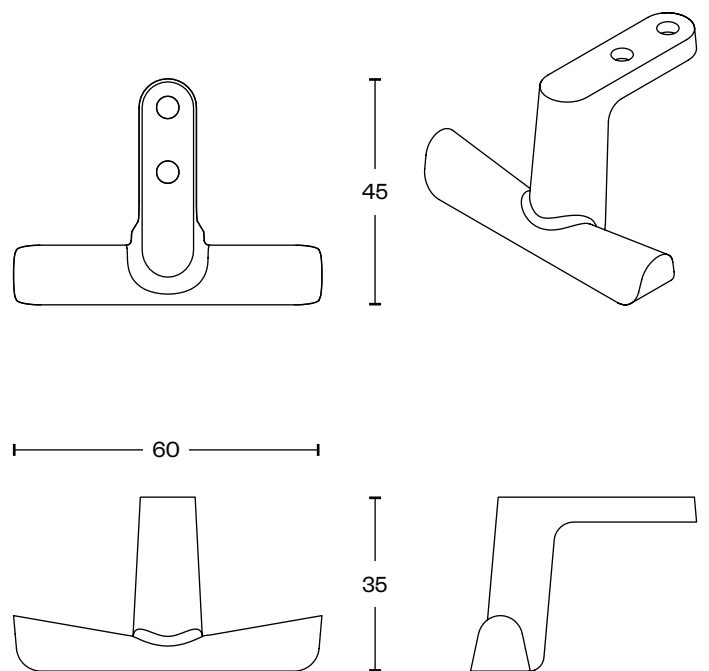
The Ala counter hook is a discrete, functional hook for use under bars, counters and tables. Available in three distinct finishes. Brass, Black brass and Aluminum.

Design : David Caon & Henry Wilson 2022



Dimensions

Width 60mm | 2.4"
Depth 45mm | 1.8"
Height 35mm | 1.4"



Construction

Ala is sand cast in aluminium or brass and then rumble-finished. The finished product is unsealed.

Imperfections in the surfaces caused by the manufacturing process are to be expected and inherent in the visual language of this object. No two are exactly alike.

Country of Origin

China

Production Lead Time

If not in stock, production lead time is 8 weeks.

Warranty

The aluminium in its unsealed state is a living material. Ala will oxidise with age and environment, effecting a natural patina. Allow its evolution, or restore the original finish with a polishing solution. We recommend Brasso or Silvo, and a soft polishing cloth.

Materials

Aluminium
Brass
Blackened Brass

Colour and Finish

Raw rumbled aluminium
Raw rumbled brass
Blackened raw rumbled brass



Aluminium



Brass



Blackened
Brass

LAKER



Ala Counter Hook

Product Data Sheet

LAKER

For enquiries, please visit us at

www.laker.studio
info@laker.studio
laker.studio