



LAKER

Continental Shelf
August 2023

Index

Laker is a venture by two friends, David Caon and Henry Wilson. An exploration into functional objects for the home or workplace with design undertaken as a series of discussions about how we live.

Page

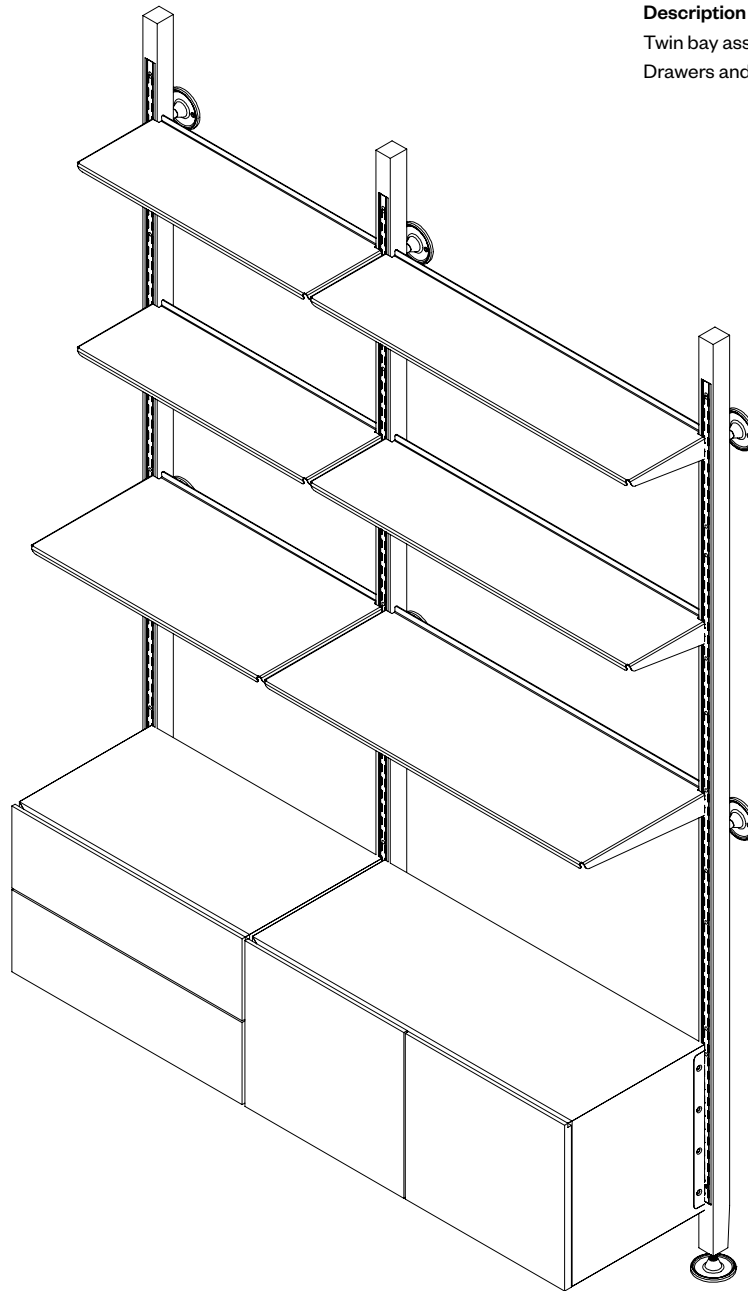
Laker Laker

1

Readymade A

Description

Twin bay assembly with Mixed Depth Shelving, Drawers and Cabinetry



Scenario

Twin bay configuration with mixed shelving depths, and a cabinet + drawers combination at base.

Material

Oak / Oyster

Height

1980 mm

Width

1550 mm

Depth

400 mm

Suited to multimedia setups, where electronics and cables can be discreetly tucked away inside the cabinets when access is not required. Drawers provide ample space for organising peripherals, while the shelving above facilitates the display of your collection of books, artworks, music, photographs, and more.

Walnut / Jasper

1980 mm

1550 mm

400 mm

Parts List

Post & Track

3 x Timber Post + Track

Shelves

2 x 900mm x 220mm Shallow Shelf

2 x 650mm x 220mm Shallow Shelf

1 x 900mm x 350mm Deep Shelf

1 x 650mm x 350mm Deep Shelf

Cabinetry

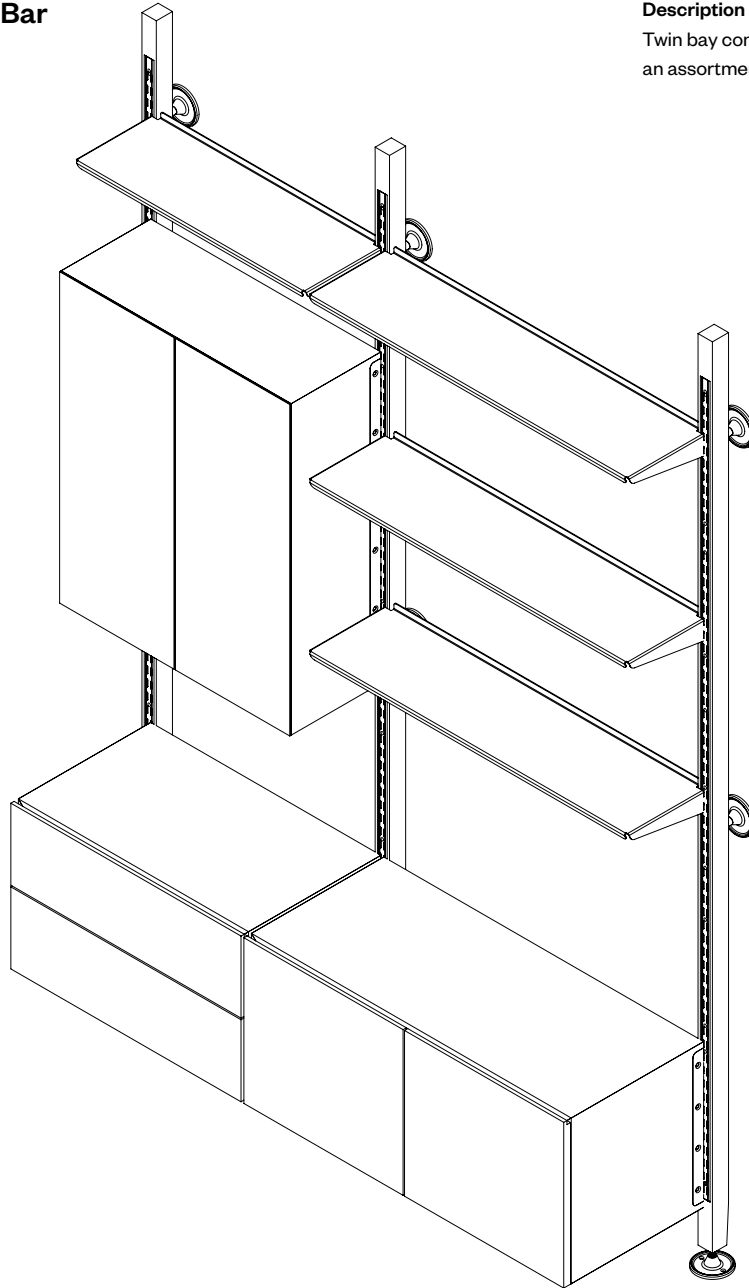
1 x 900 mm Cabinet

1 x 650 mm Drawers

Readymade B - The Dry Bar

Description

Twin bay configuration with dry bar unit, shelves, and an assortment of cabinetry for storage



Scenario

House and display all your best bottles and drinkware. in a classic dry bar. This configuration also uses dual cabinets to increase storage capacity, as well as 4 narrow shelves to maximise vertical storage capacity.

Material

Oak / Brass / Oyster

Height

1980 mm

Width

1550 mm

Depth

400 mm

Walnut / Brass / Jasper

1980 mm

1550 mm

400 mm

Parts List

Post & Track

3 x Timber Post & Track

Shelves

3 x 290mm x 205mm Brass Bar Cabinet Internal

3 x 900mm x 220mm Shallow Shelf

1 x 650mm x 350mm Shallow Shelf

Cabinet & Drawers

1 x Brass Front Dry Bar Cabinet

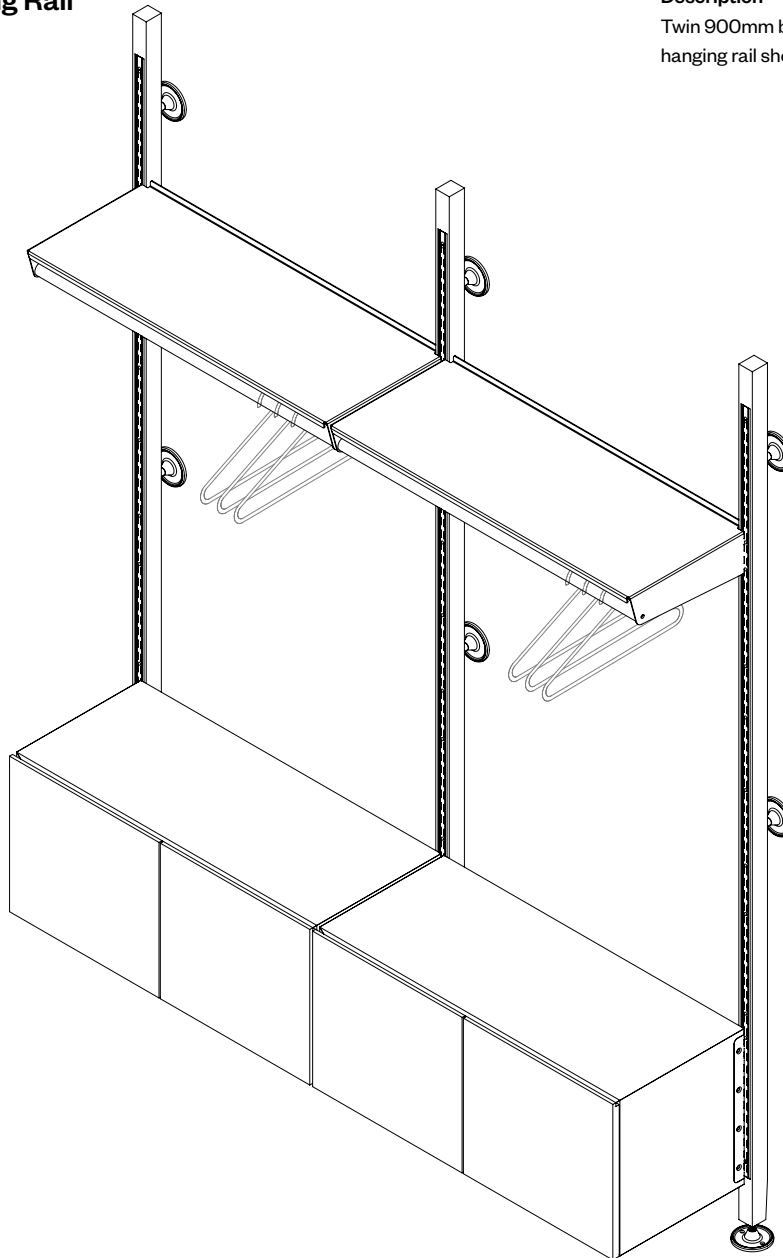
1 x 900mm Cabinet

1 x 650mm Drawers

Readymade C - Hanging Rail

Description

Twin 900mm bays mounted on timber rails utilizing hanging rail shelf for retail or hospitality applications



Scenario

Twin bay configuration with hanging rails to store or display garments, shelves above rails for additional display space, and cabinets at base for storage.

Material

Oak / Oyster / Natural Aluminium

Height

1980 mm

Width

1800 mm

Depth

400 mm

A solution for either open wardrobes in hotel environments or hanging display in a retail store. Also perfectly suited to the home.

Walnut / Jasper / Natural Aluminium

1980 mm

1800 mm

400 mm

Parts List

Post & Tracks

3 x Timber Post + Track

Shelves

2 x 900mm * 350mm Hanger Shelf

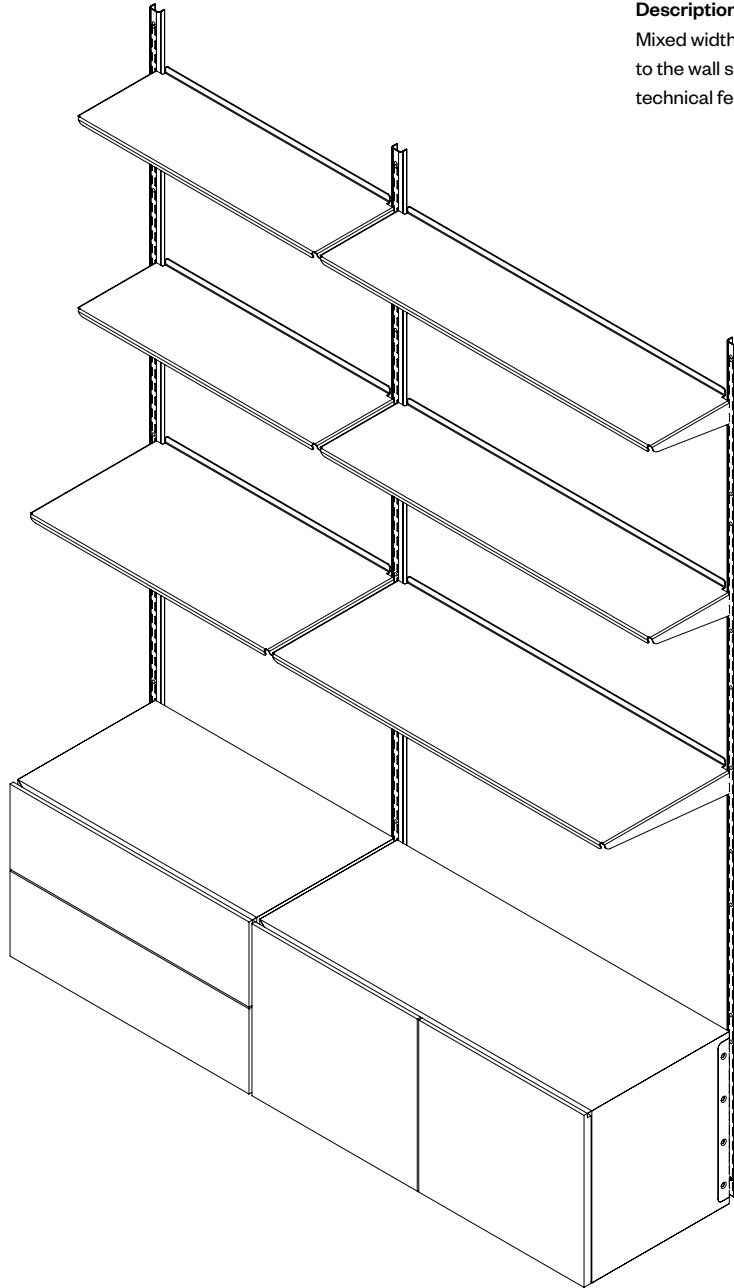
Cabinets & Drawers

2 x 900mm Cabinets

Readymade D

Description

Mixed width dual bay configuration mounted directly to the wall surface, giving a more utilitarian and technical feel.



Scenario

Twin bay configuration with mixed shelving depths, and a cabinet & drawers combination at base, directly mounted to the wall in situations where possible or preferred. Ideally suited to multimedia or technical office setups, where equipment can be tucked away inside the cabinets when access is not required, while the shelving above facilitates the display of your collection of books and objects.

Material

Oak / Oyster

Walnut / Jasper

Height

1980 mm

1980 mm

Width

1550 mm

1550 mm

Depth

400 mm

400 mm

Parts List

Post & Tracks

3 x Track direct mount

Shelves

2 x 900mm * 220mm Shallow Shelf

2 x 65mm * 220mm Shallow Shelf

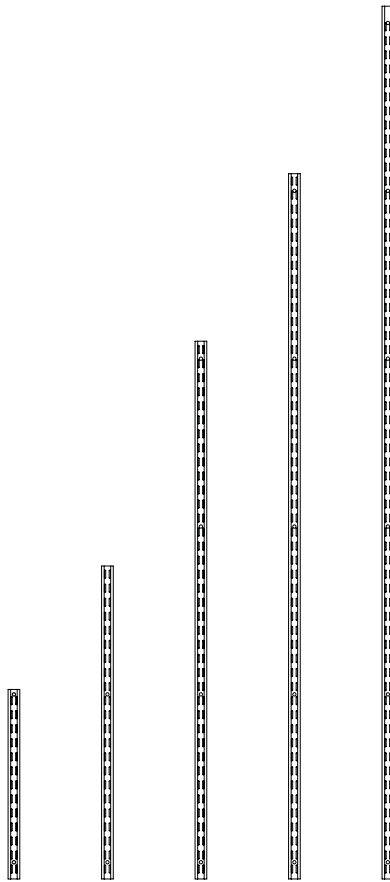
1 x 900mm * 350mm Deep Shelf

1 x 650mm * 350mm Deep Shelf

Cabinets

1 x 900mm Cabinet

1 x 650mm Drawers



Twin Track

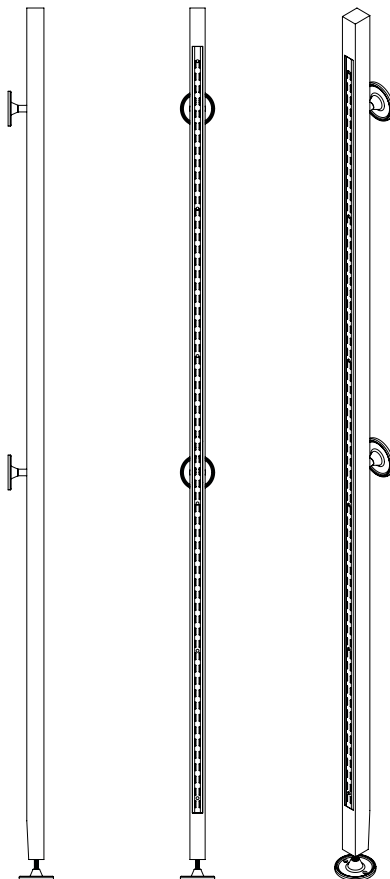
Powder coated steel in **Jasper** or **Oyster**

Used to create the substructure of your shelving system.

A minimum of two tracks are required per shelving bay, with continuous bays requiring one additional track per bay. Tracks are sold individually.

Colour/ Material	Height mm	Width mm	Depth mm
---------------------	--------------	-------------	-------------

Jasper	1980	27	16
Oyster	1600	27	16
	1220	27	16
	710	27	16
	430	27	16

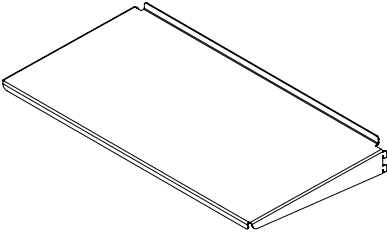
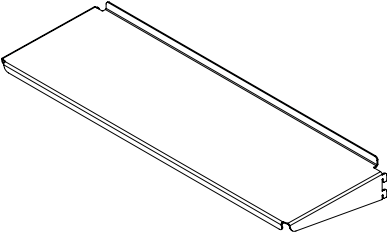
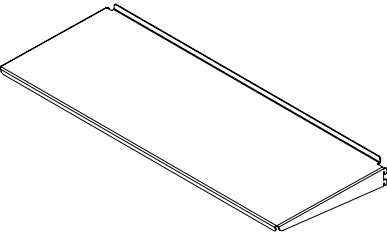
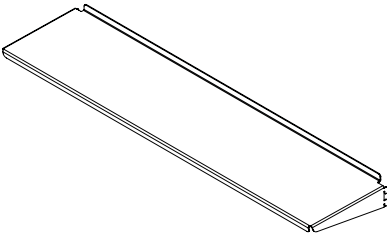
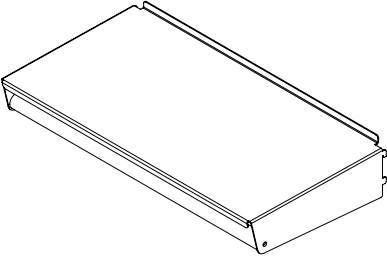
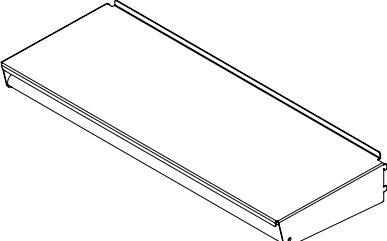


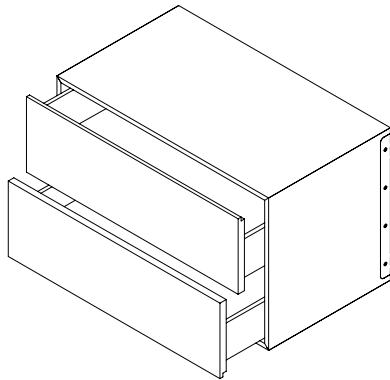
Timber Beam Assembly

Solid timber in **Walnut** or **Oak**

Used where directly mounting tracks to the wall is not possible or not preferred.

Walnut / Jasper	2200	90	95
Oak / Oyster	2200	90	95

		Colour/ Material	Height mm	Width mm	Depth mm
	Deep shelf to suit narrow bay				
	Powder coated steel shelf in Jasper or Oyster.	Jasper Oyster	70	650	350
	Shallow shelf to suit narrow bay				
	Powder coated steel shelf in Jasper or Oyster.	Jasper Oyster	70	650	220
	Deep shelf to suit wide bay				
	Powder coated steel shelf in Jasper or Oyster.	Jasper Oyster	70	900	350
	Shallow shelf to suit wide bay				
	Powder coated steel shelf in Jasper or Oyster.	Jasper Oyster	70	900	220
	Narrow hanger shelf For hanging display and/or storage				
	Powder coated steel shelf in Jasper or Oyster. Hanging rail in raw aluminium.	Jasper Oyster	120	650	350
	Narrow hanger shelf For hanging display and/or storage				
	Powder coated steel shelf in Jasper or Oyster. Hanging rail in raw aluminium.	Jasper Oyster	120	900	350

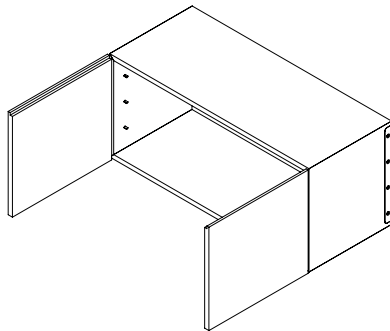


Cabinet with drawers

Available in narrow or wide configuration

Console storage, for the organisation of stationery, files etc.
Solid timber in Walnut or Oak.

Colour/ Material	Height mm	Width mm	Depth mm
Walnut	400	650	390
Oak	400	650	390
Walnut	400	900	390
Oak	400	900	390

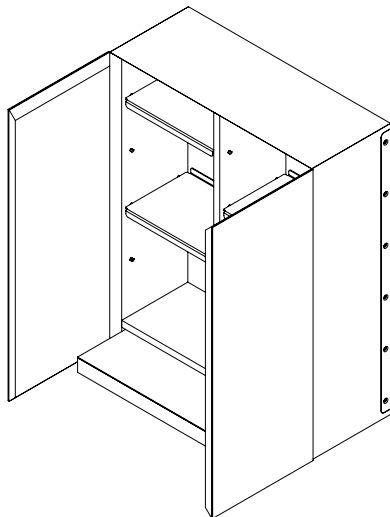


Cabinet with cupboard doors

Available in narrow or wide configuration

Console storage, for the organisation of files etc. Ideally suited to concealing media players when the Laker unit has been specified for home theatre.
Solid timber in Walnut or Oak.

Walnut	400	650	390
Oak	400	650	390
Walnut	400	900	390
Oak	400	900	390



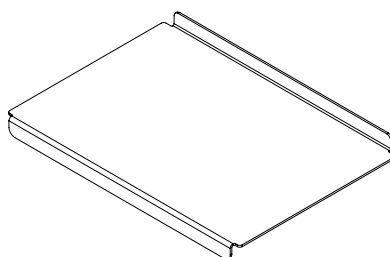
Bar cabinet

For drinks and entertaining

Bar cabinet in solid walnut or oak. Can be configured with brass clad cabinet doors.
Cabinet contains space for up to 8 internal shelves, and brass clad retractable mixing bar surface.

House and display all your best bottles and drinkware in a classic dry bar.

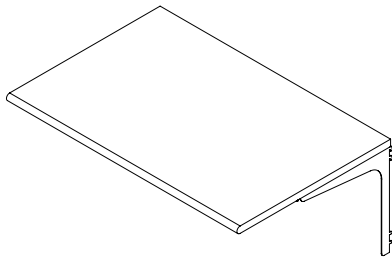
Walnut / Brass	800	650	250
Oak / Brass	800	650	250
Walnut	800	650	250
Oak	800	650	250



Bar cabinet internal shelf

Bar shelf with bent lip detail. Available in a variety of finishes.

Jasper	39	290	205
Oyster	39	290	205
Brass	39	290	205



Desk 900*600

For when a small work surface is required

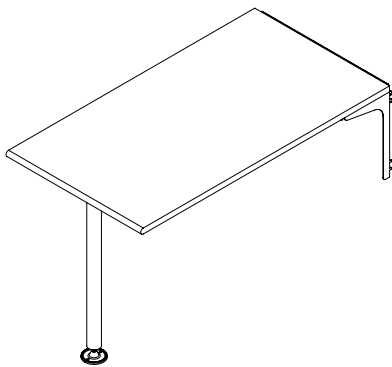
A shallow desk, ideal for study nooks and reading bays.

Table has provisions for mounting powerboards discreetly under the surface to prevent cable clutter.

Brackets powdercoated to match the tracks and shelves in the rest of the system, with the option to specify workstation surface in Melamine, Oak or Walnut.

Colour/ Material	Height mm	Width mm	Depth mm
---------------------	--------------	-------------	-------------

Black Melamine	730	900	600
White Melamine	730	900	600
Oak	730	900	600
Walnut	730	900	600



Desk 650*1200

For when a larger work desk is required

A narrow longer desk with support post, ideal for the home office setup where more workspace is required.

Table has provisions for mounting powerboards discreetly under the surface to prevent cable clutter.

Brackets powdercoated to match the tracks and shelves in the rest of the system, with the option to specify workstation surface in Melamine, Oak or Walnut.

Black Melamine	730	600	1200
White Melamine	730	600	1200
Oak	730	600	1200
Walnut	730	600	1200

LAKER

Distribution by

**living
edge**[®]

For enquiries, please contact

info@livingedge.com.au
1300132154

info@laker.studio
(02) 9360 7335

www.laker.studio
laker.studio